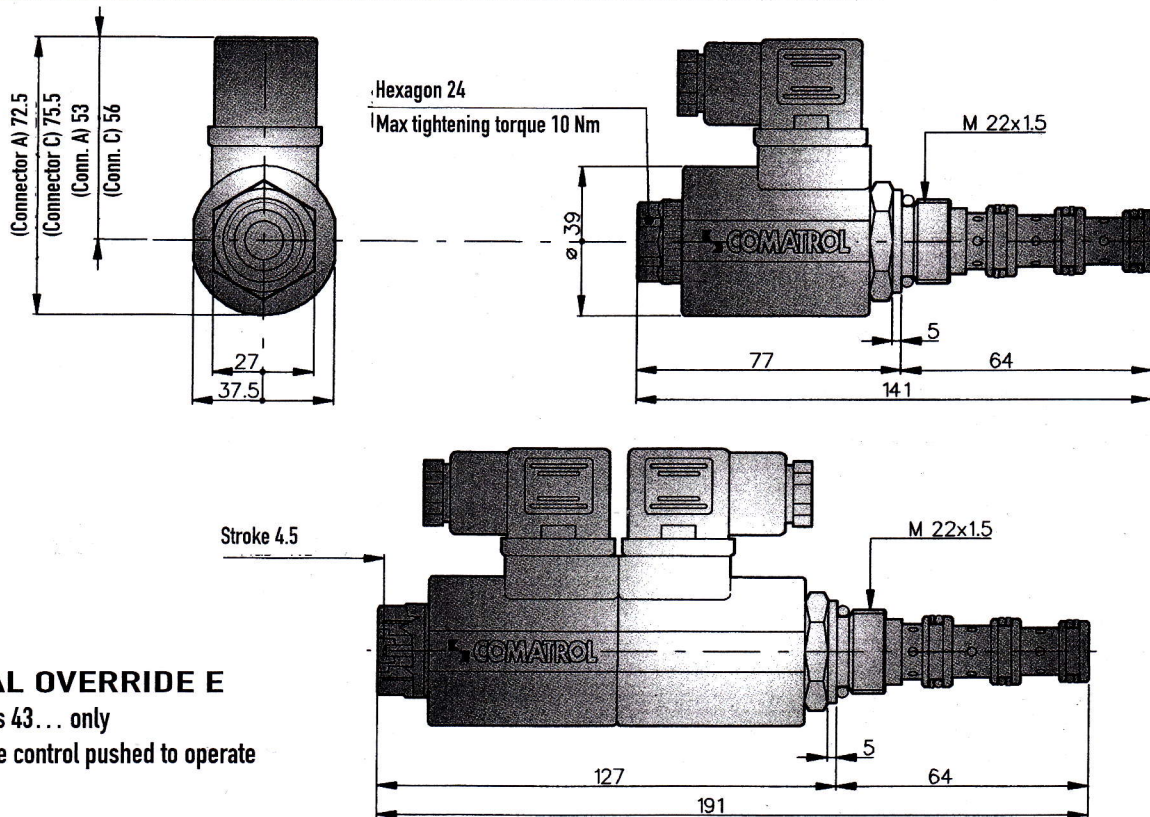


DIMENSIONS (mm)



MANUAL OVERRIDE E

For versions 43... only
plunger type control pushed to operate

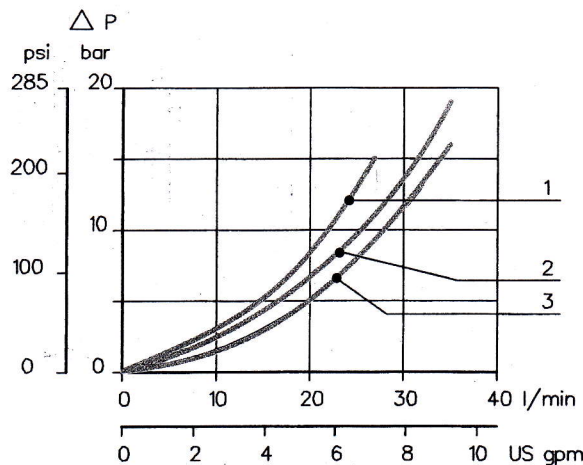
CHARACTERISTIC OPERATING CURVES

Measurements effected at 20°C ambient temperature with mineral oil having viscosity of 26 cSt at 50°C.

Power input to coil: 90% of nominal value; temperature: 50°C. Cartridges only.

PRESSURE DROP

TYPE	③ → ①	③ → ②	③ → ④	② → ①	④ → ①
05		2	2	2	2
06		3	3	3	2
07	1	2	2	3	2
08	1	2	2	3	2
09		2	2	2	2
10	1	2	2	3	2
12			3	3	
13		3		3	2
14		3			2
15	1	2	2	2	2
17		3	3	3	2
19		3	3	3	2
20		3	3	3	3

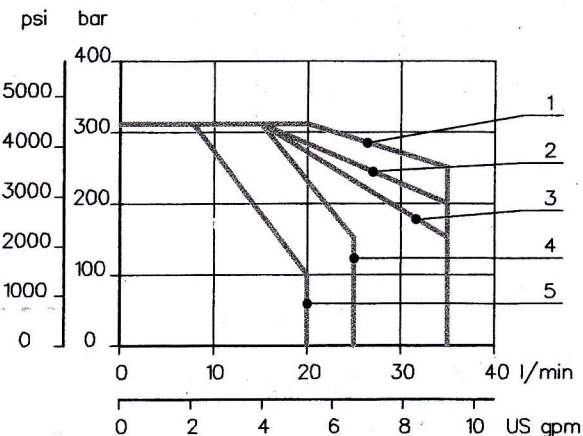


LIMITS OF APPLICATION

TYPE	Reference
05	3
06	1
07	4
08	4
09	2
10	5
12	2

LIMITS OF APPLICATION

TYPE	Reference
13	2
14	2
15	5
17	3
19	2
20	2



MAX PERMISSIBLE PRESSURE THROUGH PORT ① : 180 bar FOR THREE POSITION
MAX PERMISSIBLE PRESSURE THROUGH PORT ① : 210 bar FOR THREE POSITION