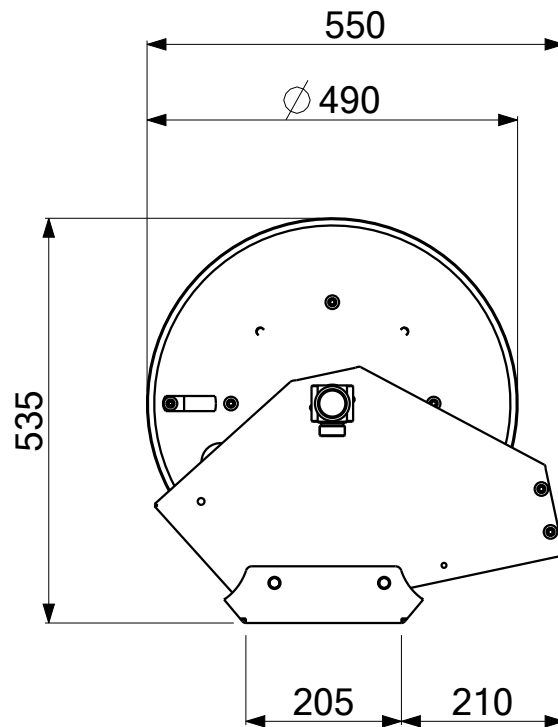
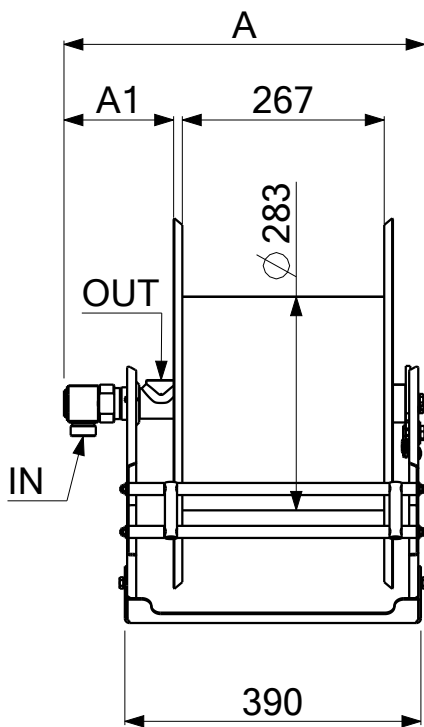
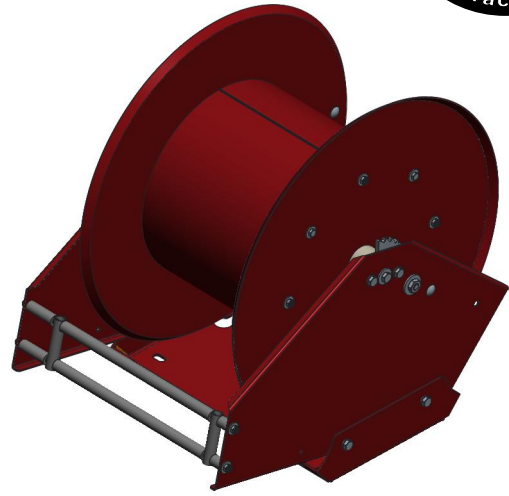
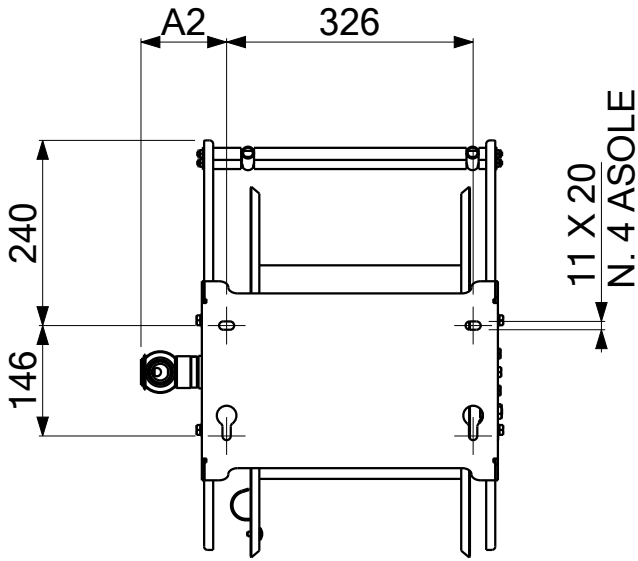
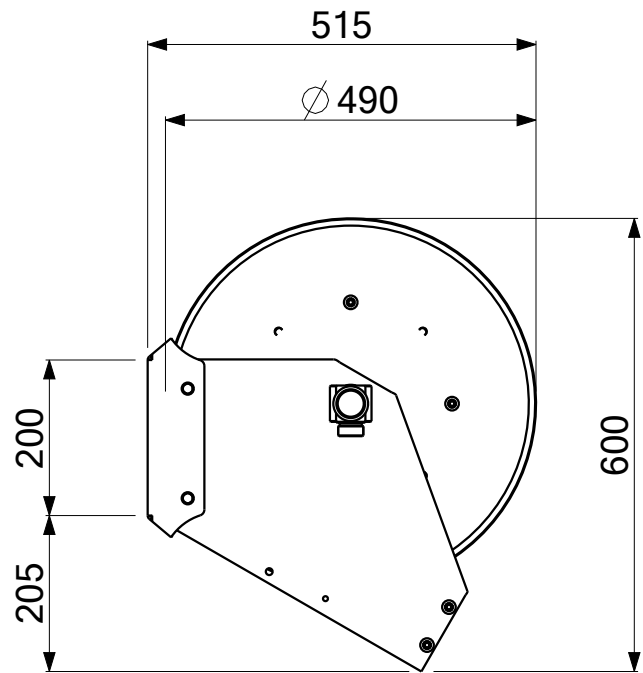
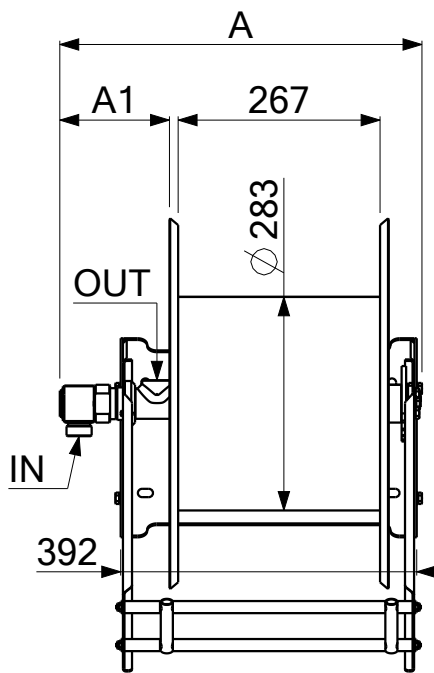
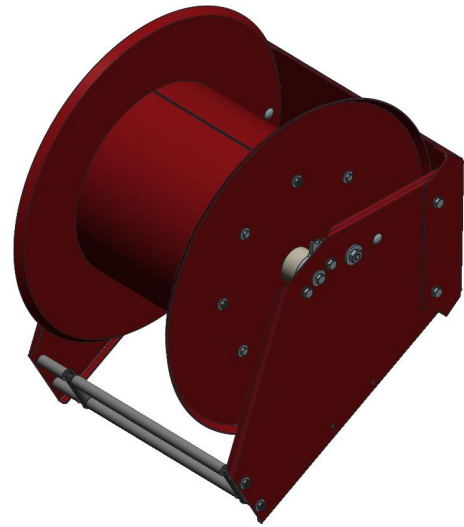
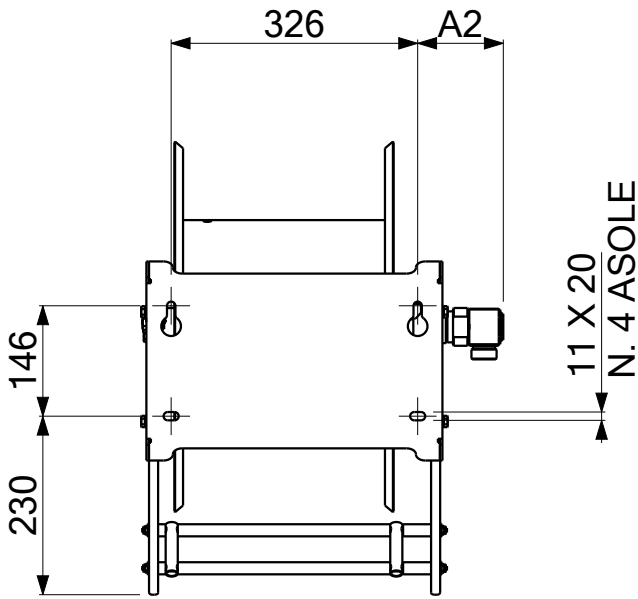


AUTO A4 - POS. A (REV. A)



Codice <i>Code</i>	Lunghezza e diametro tubo consigliati <i>Recommended hose length and diameter</i>	Raccordi <i>Connection</i>		Pressione <i>Pressure</i>	Temperatura massima <i>Maximum temperature</i>	Dimensioni <i>Dimensions (mm)</i>			<i>Peso</i> <i>Weight</i>
		IN	OUT			bar	°C	A	
510.020.A	20m - \varnothing 1" 25m - \varnothing 3/4 / 5/8	M 1"	F 1"	200	120	480	145	115	26
510.035.A	30m - \varnothing 3/4 45m - \varnothing 5/8								
510.045.A	50m - \varnothing 1/2 / 3/8	M 1/2	F 1/2	250		455	120	90	34
511.020.A	25m - \varnothing 1" / 3/4	F 1"	F 1"	30	80	470	135	105	26
511.035.A	45m - \varnothing 3/4	F 1"	F 1"						
511.045.A	50m - \varnothing 1/2 / 5/8	F 1/2	F 1/2	P.4 20		445	110	80	34

AUTO A4 - POS. B (REV. A)



Codice <i>Code</i>	Lunghezza e diametro tubo consigliati <i>Recommended hose length and diameter</i>	Raccordi <i>Connection</i>		Pressione <i>Pressure</i>	Temperatura massima <i>Maximum temperature</i>	Dimensioni <i>Dimensions (mm)</i>			<i>Peso</i> Weight kg
		IN	OUT			bar	°C	A	
510.020.A	20m - Ø 1" 25m - Ø 3/4 / 5/8	M 1"	F 1"	200	120	480	145	115	26
510.035.A	30m - Ø 3/4 45m - Ø 5/8								
510.045.A	50m - Ø 1/2 / 3/8	M 1/2	F 1/2	250		455	120	90	34
511.020.A	25m - Ø 1" / 3/4	F 1"	F 1"	30	80	470	135	105	26
511.035.A	45m - Ø 3/4	F 1"	F 1"						
511.045.A	50m - Ø 1/2 / 5/8	F 1/2	F 1/2	P.5 20		445	110	80	34