

Pressure actuated water valves

V46

2-way pressure actuated water valves - Commercial applications

These pressure actuated modulating valves control the quantity of water to a condenser by directly sensing pressure changes in a refrigerant circuit.

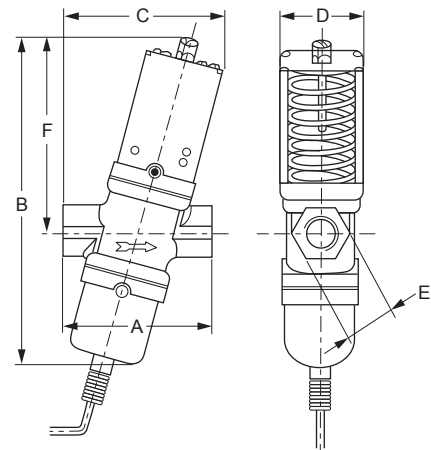
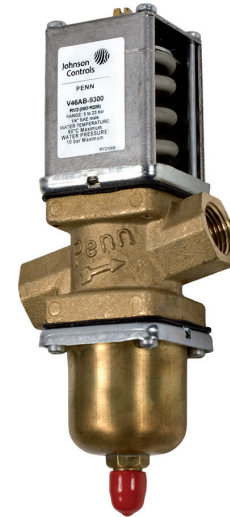
The valves can be used in non-corrosive refrigerant systems. Ammonia power elements and valves designed for salt-water applications are available.

The valves have a quick opening characteristic and open on pressure increase (direct acting).

Reverse acting (close on pressure increase) is possible.

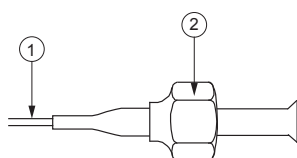
Features

- ▶ Pressure balanced valve design
- ▶ Pressure actuated
- ▶ 3/8, 1/2, 3/4" are angled body type valves with high Kv value
- ▶ 3/8" up to 2" pressure valves "all range" types
- ▶ Quick opening valve characteristics
- ▶ No close fitting or sliding parts in water passages
- ▶ Easy to disassemble. All parts can be replaced
- ▶ Special bronze bodies and monel parts
- ▶ Power elements with stainless steel bellows available
- ▶ Wide range of pressure connection styles
- ▶ Nickel plated seats available for 3/8, 1/2, and 3/4" valves
- ▶ Direct/reverse action



Dimensions in mm

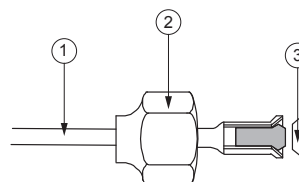
Valve size	A	B	C	D	E	F
3/8"	70	150	75	41	24	92
1/2"	80	166	86	51	27	98
3/4"	90	181	97	55	36	110



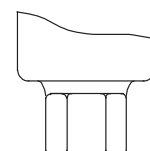
Style 13
 (excl. valve depressor)
 1: 75 cm capillary
 2: 7/16-20 UNF flare nut



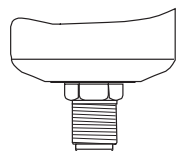
Style 34
 1: 75 cm capillary
 2: 1/4" tube for braze connection



Style 50
 (incl. valve depressor mounted into machined flare)
 1: 75 cm capillary
 2: 7/16-20 UNF flare nut
 3: copper searing



Style 15
 1/4-18NPT (female)



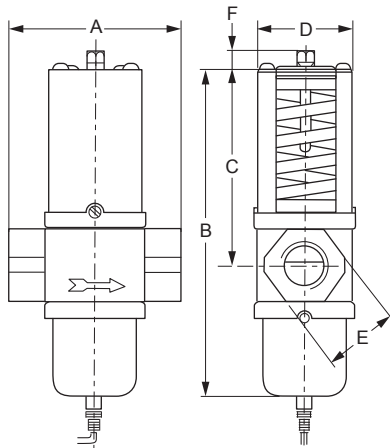
Style 5
 7/16-20 UNF

Pressure actuated water valves

V46
Ordering information

Codes	Range (bar)	Body style	Size thread according to ISO 228	Style	Capillary length (cm)	Additional features It is possible to change style 13 into style 45A by ordering KIT031N600	
V46AA -9600	5...18	Angled	3/8"	13	75	---	
V46AA -9608						With special washer to prevent waterhammer at low flow capacity	
V46AA -9602				100	Nickel plated seat/longer capillary		
V46AA -9950					34	75	Nickel plated seat/solder connection
V46AA -9951							.040" i.d.cap./solder connection
V46AB -9600					13	75	---
V46AB -9950					34		Solder connection/"062" id.cap
V46AC -9600					13	75	---
V46AC -9951					34		Solder connection
V46AA -9300	5...23	Angled	3/8"	5	---	---	
V46AA -9301						Nickel plated seat, high range. With washer to prevent waterhammer at low flow capacity	
V46AA -9606					13	75	Nickel plated seat, high range
V46AA -9609						Nickel plated seat, high range. With washer to prevent waterhammer at low flow capacity	
V46AA -9510						50	High range
V46AB -9300				1/2"	5	---	---
V46AB -9605					13	75	Nickel plated seat, high range
V46AB -9951					34	Solder connection, high range	
V46AB -9510					50	High range	
V46AC -9300				3/4"	5	---	---
V46AC -9605					13	Nickel plated seat, high range	
V46AC -9510					50	High range	

Pressure actuated water valves

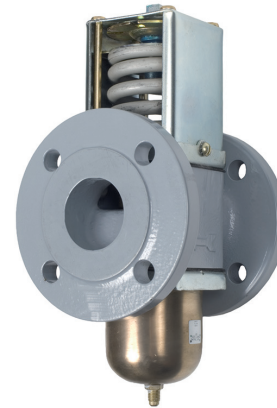
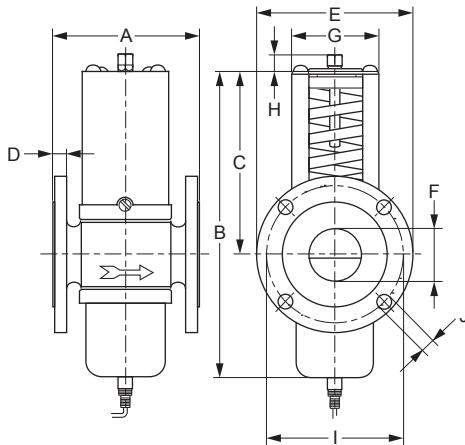
V46

Dimension in mm

Valve size	A	B	C	D	E	F
1"	124	233	138	71	48	13
1 1/4"	126	242	144		57	

Ordering information

Codes	Range (bar)	Body style	Size thread according to ISO 7-Rc	Style	Capillary length	Additional features It is possible to change style 13 into style 45A by ordering KIT031N600
V46AD -9300	5...18	Straight	1"	5	---	---
V46AD -9510				50	75	
V46AD -9600				13	75	
V46AE -9300			1 1/4"	5	---	
V46AE -9510				50	75	
V46AE -9600				13	75	
V46AD -9511	10...23		1"	50	75	High range
V46AE -9512			1 1/4"			

Pressure actuated water valves

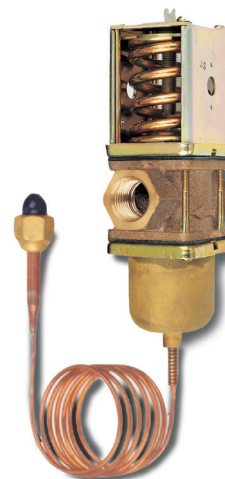
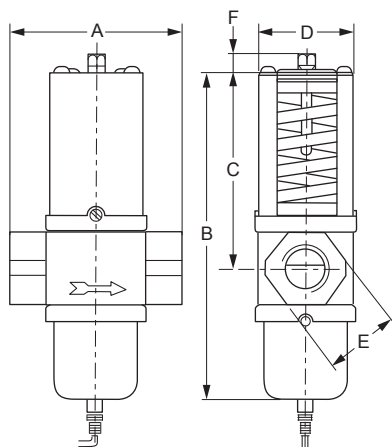
V46

Dimensions in mm

Valve size	A	B	C	D	E	F	G	H	I	J
1½"	137	242	144	18	150	47	67	13	110	18
2"	168	299	164	20	165	57	89	16	125	
2½"	172				185	70			145	

Ordering information

Codes	Range (bar)	Body style	Size DIN2533 flang connections	Style	Capillary length	Additional features It is possible to change Style 13 into Style 45A by ordering KIT031N600
V46AR-9300	5...18	Straight	1½"	5	---	---
V46AR-9600				13	75	
V46AS-9300	5...11.5		2"	5	---	---
V46AS-9301	11...18					
V46AT-9300	5...11.5		2½"	5	---	---
V46AT-9301	11...18					

Pressure actuated water valves

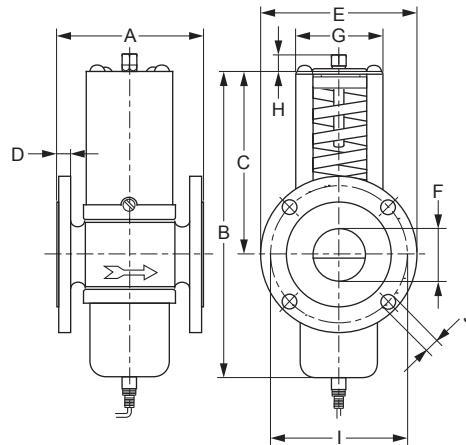
V46

Dimension in mm

Valve size	A	B	C	D	E	F
3/8"	67	136	79	41	24	10
1/2"	80	153	86	51	29	
3/4"	86	163	96	55	35	
1"	124	233	138	71	52	13
1 1/4"		242	144		62	

Ordering information

Codes	Range (bar)	Body style	Size thread according to ISO 228	Style	Capillary length	Additional features It is possible to change style 13 into style 45A by ordering KIT031N600		
V46BA-9600	5...18	Straight	3/8"	13	75	---		
V46BB-9600			1/2"					
V46BC-9600			3/4"					
V46BD-9600			1"					
V46BE-9510			50					
V46BE-9600	13							
V46BA-9510	5...23		3/8"	50			140	Longer capillary
V46BB-9510			1/2"					
V46BC-9510			3/4"					
V46BC-9511			1"					
V46BD-9510	10...23	1"	50	75	---			
V46BE-9511		1 1/4"				150	Longer capillary	

Pressure actuated water valves

V46

Dimensions in mm

Valve size	A	B	C	D	E	F	G	H	I	J
1½"	135	242	144	14	150	47	67	13	110	18
2"	162	299	164	16	165	57	89	16	125	
2½"	172				185	70			145	

Ordering information

Codes	Range (bar)	Body style	Size DIN 86021 flange connections	Style	Capillary length
V46BR-9510	5...18	Straight	1½"	50	75
V46BR-9600				13	
V46BS-9300	5...11.5		2"	5	---
V46BS-9301	11...18				
V46BT-9300	5...11.5		2½"	5	---
V46BT-9301	11...18				