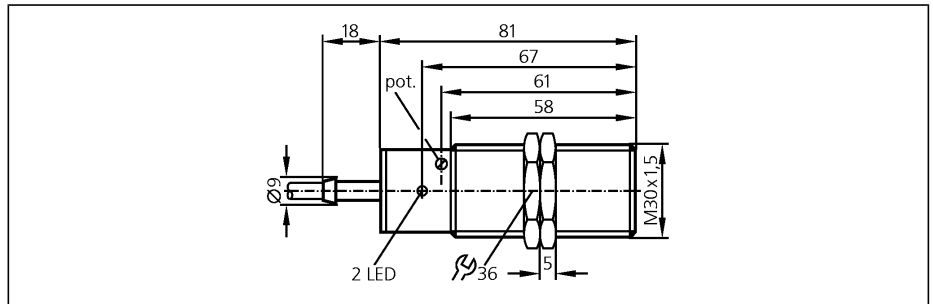


Evaluation systems, power supplies

DI0001

DIA2010-ZROA/5-300 I/MIN
Compact speed monitor M30
M30 x 1.5
Cable

Sensing range 10mm [f]
flush mountable



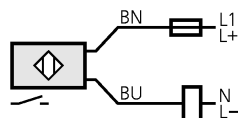
Application
Electrical design
Output
Setting range [pulses/min.]

**simple evaluation of rotating and linear movement with regard to underspeed;
blocking
AC/DC
normally open
5...300**

Nominal voltage [V]	20...250 AC/DC
Current rating (continuous) [mA]	350 AC (...50 °C) / 250 AC (...80 °C) / 100 DC
Current rating (peak) [mA]	2200
Minimum load current [mA]	> 6
Short-circuit proof	no
Reverse polarity protection	no
Overload protection	no
Voltage drop [V]	< 6.5
Leakage current [mA]	< 1.5
Damping frequency (max.) [pulses/min]	1500
Correction factors	mild steel = 1 / stainless steel approx. 0.7 / brass approx. 0.5 / Al approx. 0.4 / Cu approx. 0.3
Hysteresis [% of Sp]	10
Short-circuit proof	no
Start-up delay [s]	12
Switching function	output is switched during the start-up delay and if (f actual) is greater than (f preset)
Adjustment of the switch point	multiturn potentiometer
Operating temperature [°C]	-25...80
Protection	IP 67
Housing material	brass special coated; PBT (Pocan)
Function display	
Switching status	LED green
Connection	PVC cable / 2 m; 2 x 0.5 mm ²
Remarks	Recommendation: check the unit for reliable function after a short circuit.

Wiring

Core colours
BN brown
BU blue



Note: miniature fuse to IEC60127-2 sheet 1,
≤ 2 A (fast acting)

ecomat200[®]

DI0001

