

## Cable plug DIN EN 175301-803



- Protection class IP 65
- With approvals : UR, CSA, VDE (version without circuit)
- Easy to install
- Also available with moulded-on cable connection

Type 2516 can be combined with...



**Type 6011**  
Typ



**Type 6211**  
Typ



**Type 6212**  
Typ



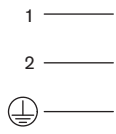
**Type 6228**  
Typ

Plug for the connection of electrical components according to DIN EN 175301-803 Form C (previously DIN 43650).

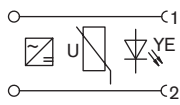
Technical data	
Body material	Polyamide
Contact material	Brass
Cable diameter	4.5...6 mm
Temperature range (ambient)	
Plug	-40°...+125 °C
Seal	-25°...+90 °C
Functional display	LED, colour yellow
Nominal voltage	0...250 V
Maximum current rating	without circuitry: 6 A with diode: 3 A
Contact resistance	≤10 mΩ
Electrical connection	Terminal screws
Protection class	IP65
Number of terminals	2 pins + protective earth

Circuit

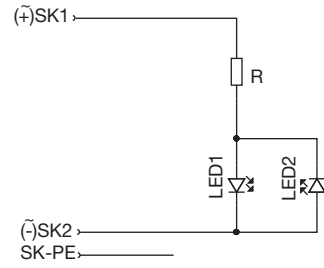
Without circuitry



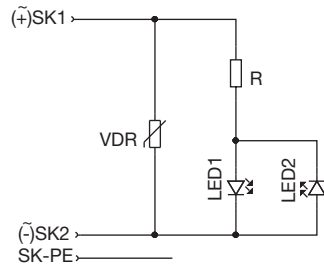
With rectifier, varistor and LED



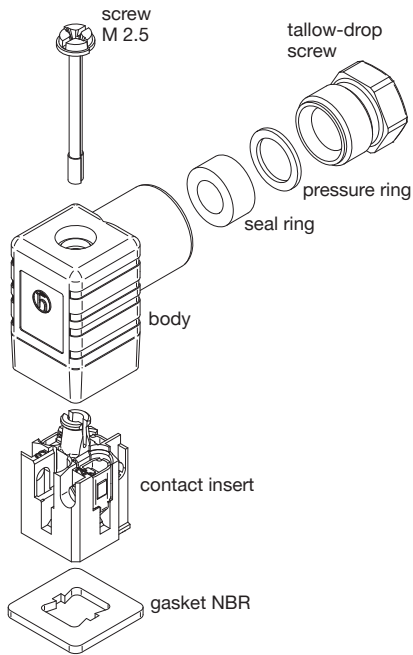
With LED



With LED and varistor

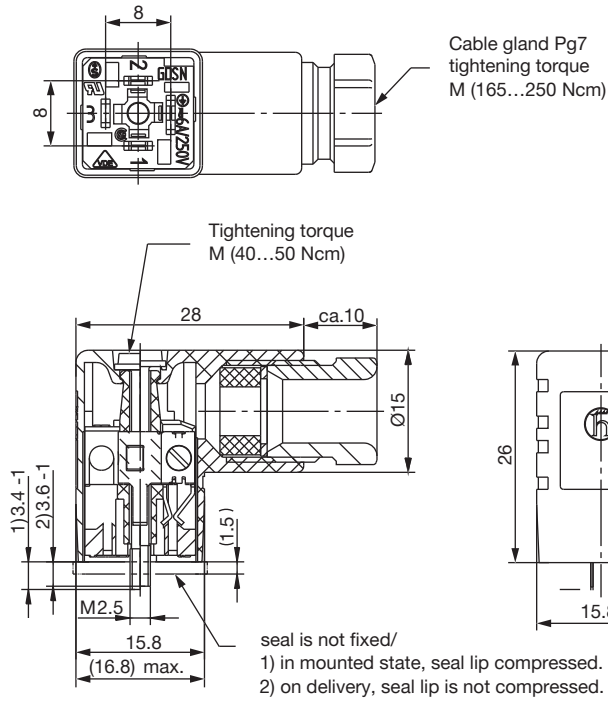


Explosion drawing

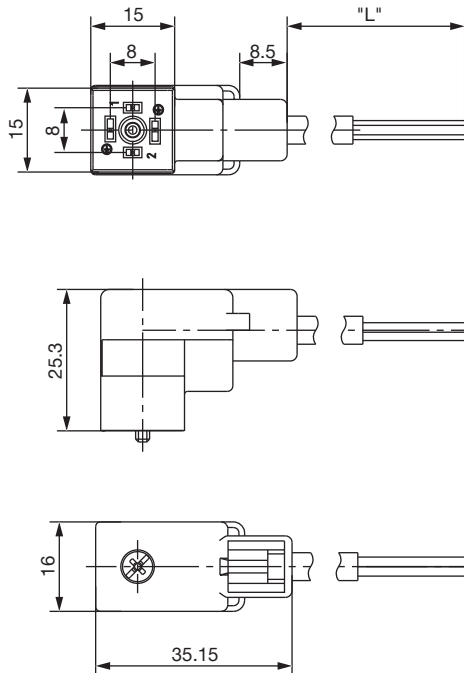


Dimensions [mm]

Without cable



With cable



Cable length

L	3 m
---	-----

5 m and 10 m on request

## Ordering chart

The delivery of a cable plug includes the flat seal and fixing screw

Voltage	Current rating	Item no. without cable	Item no. with 2 m cable	Item no. with 3 m cable
<b>Without circuitry</b>				
0...250 V/AC/DC	max. 6 A	303 141	303 161	-
<b>With LED</b>				
12...24 V/AC/DC	max. 3 A	303 145	303 162	-
100...120 V/AC/DC	max. 3 A	303 146	-	-
200...240 V/AC/DC	max. 3 A	303 147	-	-
<b>With rectifier, varistor and LED</b>				
12...24 V/AC/DC	max. 1 A	-	-	303 142
100...120 V/AC/DC	max. 1 A	-	-	303 143
200...240 V/AC/DC	max. 1 A	-	-	303 144
<b>With LED and varistor</b>				
12...24 V/AC/DC	max. 3 A	303 148	-	-
100...120 V/AC/DC	max. 3 A	303 149	-	-
200...240 V/AC/DC	max. 3 A	303 150	-	-

To find your nearest Bürkert facility, click on the orange box →

[www.burkert.com](http://www.burkert.com)

In case of special application conditions,  
please consult for advice.

Subject to alteration.  
© Christian Bürkert GmbH & Co. KG

1708/1\_EU-en\_00895325