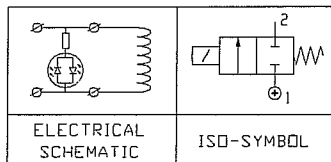
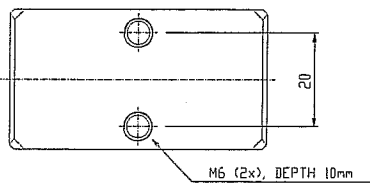
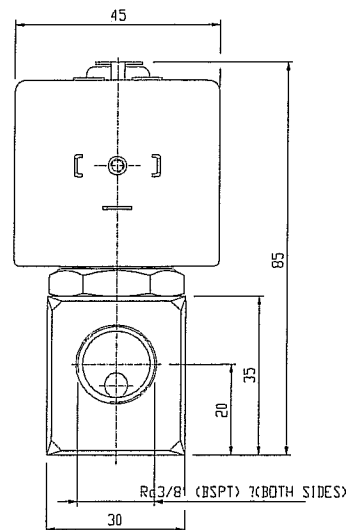
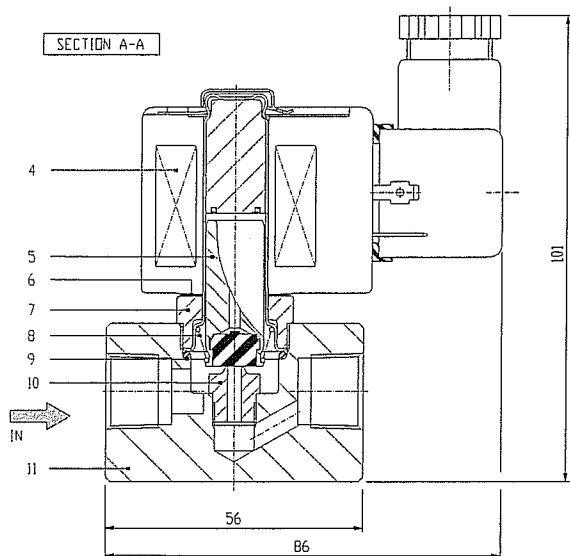


PARTS LIST			
ITEM	QTY	NAME	MATERIAL
1	1	PLUG CONNECTOR ASSEMBLY	POLYAMIDE / NBR
2	1	NAMEPLATE	ALUMINIUM STICKER
3	1	CLIP, RETAINING	ST.ST. 302
4	1	COIL	EPOXY MOULDED
5	1	CORE ASSEMBLY	ST.ST. 430F / PTFE
6	1	WASHER, SPRING	ST.ST. 302
7	1	SOL. BASE SUB-ASSEMBLY	ST.ST. 304 ^{1/2} STEEL ZINC PLATED
8	1	SPRING, CORE	ST.ST. 302
9	1	O-RING, SOL.BASE SUB-ASSY	PTFE
10	1	SEAT, INSERT	ST.ST. 303
11	1	BODY	ALUMINIUM, ANODIZED

VALVE SPECIFICATIONS

ENGINEERING JOB NUMBER		VSI-02015
FUNCTION		2/2 WAY NORMALLY CLOSED
APPLICATION		OPEN/CLOSE VALVE
MEDIUM		LIGHT OIL / NH ₃ / FREDN
TEMPERATURE	MEDIUM	MIN. -20°C / MAX. 130°C
	AMBIENT	MIN. -20°C / MAX. 75°C
OPERATING PRESSURE	MIN.	0 bar
DIFFERENTIAL	MAX.	20 bar
	MAX. SAFE STATIC PRESSURE	
ORIFICE / FLOW		02,7 mm / 0,26 Kv
MAT'L IN CONTACT WITH FLUID	METAL PARTS	ALUMINIUM / ST.ST.
	RESILIENTS	PTFE (TEFLON)
ELECTRICAL CONNECTION		SPADE PLUG CONNECTOR WITH LED
ELECTRICAL INPUT	NDM.	230/50 V/Hz
POWER CONSUMPTION	NDM.	10,5 WATTS
ENCLOSURE		FULLY ENCAPSULATED IP-65
COIL CLASS / ENERGIZE DUTY		F (155 °C)
MOUNTING		ANY POSITION
P.E.D. (97/23/EC) CATEGORY		S.E.P., ARTICLE 3.3
ASCO SALES OFFICE		ASCO/JOUCOMATIC, BELGIUM
CUSTOMER		MYCOM, BELGIUM



2/2 SOLENOID VALVE, NORMALLY CLOSED.
 PIPE : Rc3/8(BSPT) BODY MAT'L : ALUMINUM
 DRIFICE : 02,7mm SEATING : PTFE
 ENCLOSURE : FULLY ENCAPSULATED, IP-65
 WATTS : 10,5 AC

DRAWN BY : V.BUIJTENHUIS DATE : 2002-03-25 SCALE : 1:1 DIMENSIONS : MM THIRD ANGLE HELIX DRAWING	 ASCO CONTROLS BY THE NETHERLANDS ALL RIGHTS OF DESIGN OR INVENTION ARE RESERVED
---	--

156972	WBU/ACV06C02-06-03
ER-ND	ISSUED
	BY APP. DATE
	ASSY REF.
	Released
	1/1 SHEET
144272	REVISION

TITLE
 SOL. VALVE
 DATA SHEET
 TECH. PAGE: SP20G505
 ART: SLV-ME-230V-50Hz-IP67

SCALE	1/1	A3
DRAWN	X. DESTREE 12.07.02	
CHECKED		
REVISION No	0	
DWG No	ME-09183	

