

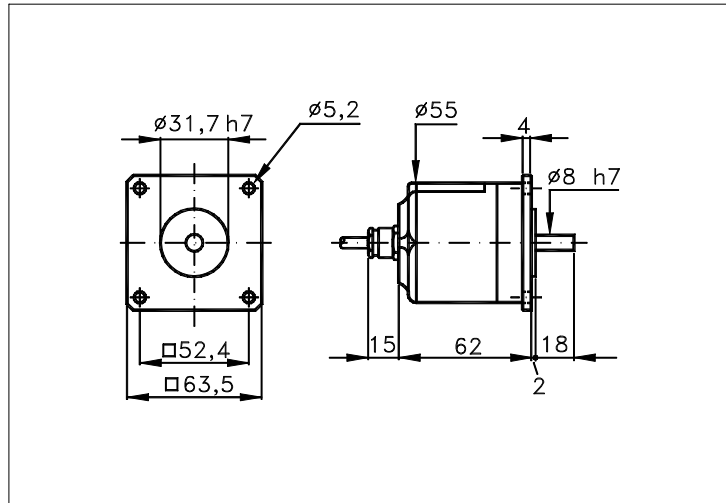
E6

data sheet . II067 E00

Sized draw standard version:

CV

Measures without tolerance according to UNI ISO 2768-mk



TECHNICAL FEATURES AND POSSIBLE CONFIGURATIONS

- Base.....: ANODIZED ALUMINIUM (\*)
- Cover.....: VALOX 420 (\*)
- Weight.....: 380 g
- Shaft.....: Ø 8 STAINLESS STEEL (\*)
- Max.rad/axial load.: 8 kg
- IP output side.(°): see 'CONNECTION' of page 2
- IP shaft side.(°).> std. 64 | sealed 66 | low torq. -
- opt. type (page 2).> standard | Z
- Contin. max RPM(\*\*)> 6000 | 3000 | -
- Starting torque gcm> 18 | 30 | -
- Ball bearings life....: 1,5 x 10<sup>9</sup> revolutions
- Impact resistance....: 50 G x 11ms
- Vibration resistance.: 12 G (10 ÷ 2000 Hz)
- Power supply.....: 5÷30V (see page 2)
- Operating temperature: 0 ÷ 70 °C (\*)
- Storage temperature...: -30 ÷ 85 °C
- N° of pulses/rev.....: 1 ÷ 1000
- Max frequency.....: 40 kHz (75 option)
- Max consumptions mA...: std 120 line driver 180 (\*)
- Light source.....: LED with >= 100000 h life

(°) IP according to CEI EN 60529, EN 60529, IEC 529

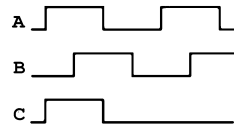
(\*) custom options

(\*\*) intermittent max RPM + 30% of continuous max RPM

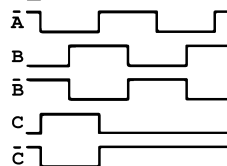
ELECTRONICS

CODE	DESCRIPTION	mA	CODE	DESCRIPTION	mA	CODE	DESCRIPTION	mA	CODE	DESCRIPTION	mA
	STANDARD NPN	10	N	DRIVER 26LS31	30						
K	NPN OPEN COLL	10	T	TTL 7404	10						
Q	NPN	70	C	DRIVER 88C30	20						
R	NPN OPEN COLL	70									
P	PNP	70									
U	PNP OPEN COLL	70									
B	PUSH-PULL PRO	70									
H	PUSH-PULL	70									

(§)



A (§)



(§)

(§)

Tolerance between phases ± 35°, symmetry ± 15°

(§) Clock-wise output rotation (see shaft).

POSSIBLE OPTIONS				POSSIBLE CONNECTIONS								
CODE	DESCRIPTION	CODE	DESCRIPTION	CABLE			OUTPUT:					
Y	Unbreakable disk	K	Invert. phase A,B,Zero.	CV			AX					
Z	Sealed ball bearing	J	Zero logic combination	CONNECTOR			OUTPUT:					
H	Different shaft Ø	M	Impregnated electronic	CABLE END CONNECTOR			OUTPUT:					
R	75 KHz frequency	G	Tropicalization	VM	TM	VL	TL	VD	VH	VH5	VI	AX
X	Custom options			VE	VK	TK	VN	VH6	VM5	VM9	VS	
				VD5								
				TERMINAL BOX			OUTPUT:					

### ORDERING INFORMATION

POSSIBLE SHAFT Ø	STANDARD NPN	CABLE	CONNECTOR	CABLE END CONNECTOR
( )	( K ) NPN OPEN COLL	IP65		IP65 encoder output
( )	( Q ) NPN	( CV ) 1 m long	( )	( VM ) 7c normal
( )	( R ) NPN OPEN COLL	( )	( )	( TM ) 7c sealed
( )	( P ) PNP	( )	( )	( VL ) 10c normal
( )	( U ) PNP OPEN COLL	( )	( )	( TL ) 10c sealed
( n ) Ø n upon requ.	( B ) PUSH-PULL PRO			( VD ) 9c
	( H ) PUSH-PULL			( VH ) 12c anticlock.
	( N ) DRIVER 26LS31	TERMINAL BOX		( VH5 ) 12c clock-wise
	( T ) TTL 7404	IP00		( VI ) 12c crimped
	( C ) DRIVER 88C30	( )		( VE ) 5c
				( VK ) 17c normal
				( TK ) 17c sealed
				( VN ) 12c
	( X ) CUSTOM OPTION			( VH6 ) 12c clock-wise
				( VM5 ) 26c
				( VM9 ) 16c
				( VS ) 12c
				( VD5 ) 9c screened

OPTIONS	MODEL	PULSES/REVOL. (1)	POWER SUPPLY	VERSION (2)	ELECTRONIC (2)	CONNECTION (3)	OUTPUT
( )	( )	500	5	BZ	N	CV	
( Y )	( K )	1 ÷ 1000	( Vcc )				AX ( )
( Z )	( J )		( 5 ) 5 V ±5%	( M ) Monodirectional			( )
( )	( M )		( 824 ) 8÷24 V	( B ) Bidirectional			
( H )	( )		( 1828 ) 18÷28 V	( BZ ) Bidirectional + zero			
( R )	( )		( 815 ) 8÷15 V	( MZ ) Monodirectional + zero			
( )	( )		( 12 ) 12 V ±5%				
( )	( G )		( 24 ) 24 V ±5%				
( )	( )		( 1230 ) 12÷30/12 V				
( )	( )		( 8245 ) 8÷24/5 V				
( )	( )		( 1030 ) 10÷30 V				
( )	( )		( 18285 ) 18÷28/5 V				
( )	( )		( 1530 ) 15÷30/15 V				
( X )	( )		( )				

Product manufactured according to ISO EN 9001, supplied with CHECKING and CONFORMITY declaration with CE mark and with TWO (2) YEARS WARRANTY starting from delivery date.

NOTE: FOR 88C30 MAX 15 Vdc

(1) For further information see PULSES/REVOL. data sheet  
(2) For further information see ELECTRONIC data sheet  
(3) For further information see CONNECTION data sheet

COPYRIGHT by ELCIS - Collegno (TO)