

Data sheet



KLEEdrive AC-motors

Motors, Pumps and Blowers > KLEEdrive AC-motors > KLEEdrive AC-motors



SKU:

Description:

2516004004220140

KLEEdrive IE2

asynkronmotor T2A 100L3-4

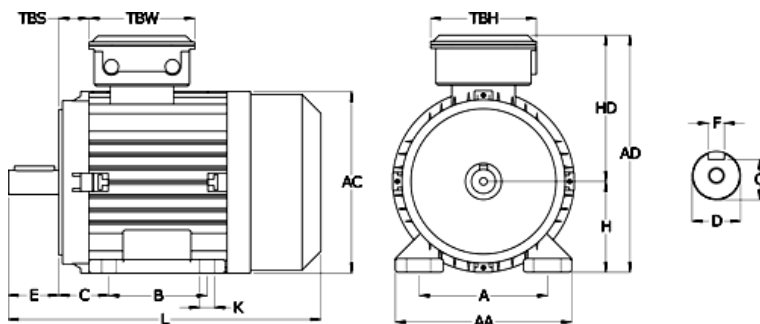
4KW Eff=86.6%

1400 o/min 3x400/690 V 50

Hz B3 Aluminium, UL/CSA

<https://www.klee.dk/en/products/2516004004220140>

Measurements



A	=	356
AA	=	436
AC	=	506
AD	=	553
B	=	311
C	=	149
D	=	55
E	=	110
F	=	16
G	=	49
H	=	225
HD	=	366
K	=	19
L	=	918
TBH	=	250
TBS	=	233
TBW	=	218

Product drawings and brochures of any kind may contain errors for which Brd. Klee A/S cannot be liable.