

8074/2-1-WPH-40 Art. No. 257186



- Operating temperature range: -40 °C to +70 °C
- Large inner connection chamber
- High-quality metal Ex e enclosure with outer PE connection
- Degree of protection IP66/67
- Five different contact versions
- Ten different actuator versions

WebCode 8074D



Metal position switch; switch dimensions meet the requirements of DIN EN 50041. It is designed to detect the position of moving components. Certified versions fulfil the requirements for safety switches as set out in EN 13849-1 and have positive-opening contacts in accordance with EN 60947-5-1.

### Technical Data

#### Explosion Protection

Application range (zones)	1 2 21 22
Certificate IECEX Gas	IECEX BVS 16.0085
Certificate ATEX Gas	BVS 05 ATEX E 007
Certificate IECEX Dust	IECEX BVS 16.0085
Certificate ATEX Dust	BVS 05 ATEX E 007
Gas explosion protection IECEX	Ex de IIC T6 Gb
Gas explosion protection ATEX	Ex II 2 G Ex de IIC T6 Gb
Dust explosion protection IECEX	Ex tb IIIC T80 °C Db
Dust explosion protection ATEX	Ex II 2 D Ex tb IIIC T80 °C Db
Certificates	ATEX (BVS), EAC (CCVE), IECEX (BVS)
Languages of the documentation	English German
EAC certificate	TS RU S-DE.AA87.B.00619

#### Electrical Data

DC rated operational voltage	125 V
AC oper vol. (equal potential)	500 V
AC op vol. (unequal potential)	250 V
Rated operational current	4.4 A
Rated operational current <sup>2</sup>	6.6 – 6.6 A
Electrical service life	Max. 10 <sup>6</sup> operating cycles
Mechanical service life	Max. 10 <sup>6</sup> operating cycles
Outdoor range	0 m
Data rate	0 kbit/s
Channel bandwidth	0 kHz

8074/2-1-WPH-40 Art. No. 257186

### Electrical Data

Rated surge voltage	4 kV
Short-circuit protection, max.	6 A
Tripping characteristic	gL/gG
Maximum operating frequency	1800 operating cycles/h
Switching function	Slow-action contact

### Ambient Conditions

Min. ambient temperature	-40 °C
Max. ambient temperature	+70 °C
Ambient temperature	-40 °C ... +70 °C

### Mechanical Data

Version	2nd generation
Degree of protection (IP)	IP66
IP degree of prot. (IEC 60529)	IP66
Type of protection (IEC 60529) note	-40 °C
Enclosure material	Corrosion res. alu., powder-c., 1.4401 stainle. steel, blasted
Contact material	Silver-nickel
Max. clamping range	13 mm
Min. clamping range	4 mm
Fine strnd conn. cross-section	0.75 – 2.5 mm <sup>2</sup>
Solid connection cross-section	0.75 – 2.5 mm <sup>2</sup>
Number of NCs	1
Positive opening operation	Yes
Number of NOs	1
Actuator	Parallel roller lever
Type of connection cable	Solid Finely stranded
Contacts	1 NC + 1 NO
Contact system	2-pole, galvanically separated with double break
Contact opening	≥ 1.5 mm (isolating distance ≥ 3 mm)
Enclosure colour	Black/silver
Packaging unit	1
Weight	0.307 kg

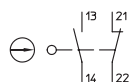
### Mounting / Installation

Connection	8161 1xM20x1.5 cable entry
Tightening torque	Screw terminals: 0.4 Nm max.; Cover screws: 1.5 ... 2 Nm; Cable glands: see installation note (enclosed unattached)

### Components

Screw connections	1 x M20 Ø 4 – 13 mm
Cable entry material	Black plastic

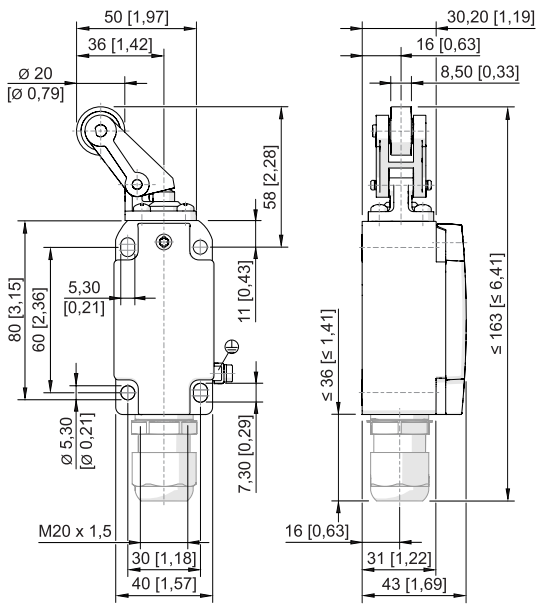
### Technical Drawings



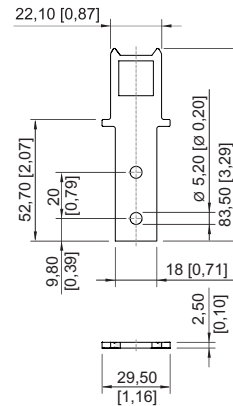
Slow-action contact 1 NC + 1 NO

8074/2-1-WPH-40 Art. No. 257186

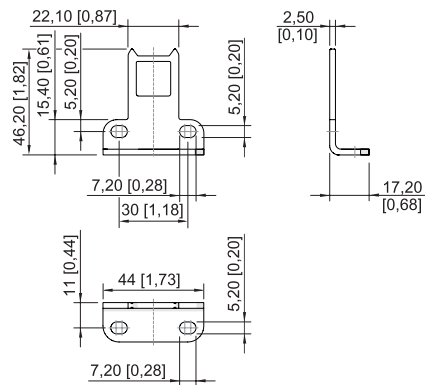
Dimensional Drawings (All Dimensions in mm [inches]) – Subject to Alterations



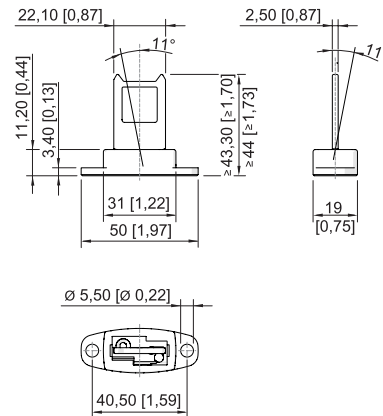
Roller lever 8074/2-.-WPH-40



Straight actuator for safety switch



Angled actuator for safety switch



Adjustable actuator for safety switch

We reserve the right to make alterations to the technical data, dimensions, weights, designs and products available without notice. The illustrations cannot be considered binding.