



【High-pressure Blower】 Front row: Blower Back row: Driver



【Option】 Prefilter



【Option】 Extension Cables for 60DCF Series

### 《 Specifications · Characteristics 》

#### ■ Performance

Set model	Blower model ※2	Driver model ※2	Input power [W]	Rated voltage [AC V]	Voltage range [AC V]	Reference values		Maximum airflow [m <sup>3</sup> /min]	Maximum static pressure ※3 [kPa]	Maximum weight [kg]
						Current [AC A]	Rotation speed [min <sup>-1</sup> ]			
60DCF-475	123-60-715	MDS-01AL001-02	1200	200	180~264	6	18500	4	19	Blower : 3.0 Driver : 3.5
60DCF-477	123-60-716		800			4	17000	5.5	9.5	
60DCF-478	123-60-717		600	6	14000	3	11			
70DCF-371 ※1	122-70-701	MDS-01AL003-01	2000	200	180~264	10	18000	5	28	Blower : 9.0 Driver : 4.0
New 70DCF-372 ※1	122-70-706							7.5	13	

※1 Choose the cable length. Cable code: 241-70-702-01 / 02 / 03 (1m / 3m / 5m) ※2 Only set-sales ※3 The continuous usable range is 1 m<sup>3</sup>/min or more. (Prohibition of fully-closed use.)

### 《 Features 》

- Compact/High-power/High-efficiency/Energy-saving
- Mounted with IEC61000\_3\_2-compliant harmonic-measurement power supply
- Overcurrent/Axial restraint/Abnormal temperature-rise protection (with automatic shut-off)

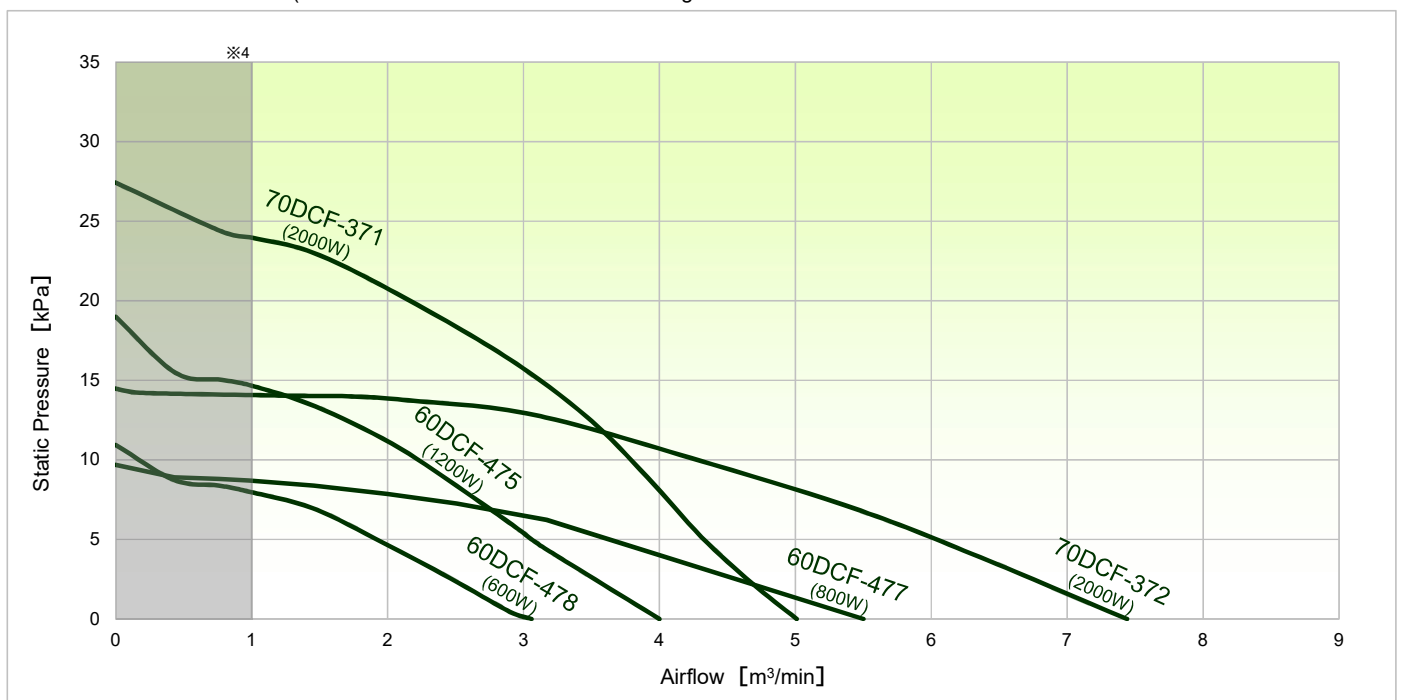
### 《 Usage 》

- Collation/Printing Machine
- Semiconductor equipment
- Suction/Dust collection Machine
- Conveyer/Packaging/Food Machine
- Plant air

#### ■ Standard Specifications

Operating temp.	0 deg.C - +50 deg.C (no condensation)
Storage temp.	-20 deg.C - +65 deg.C
Insulation class	Class B
Insulation resistance	10M Ohm min. at 500 VDC
Dielectric strength	Blower/Driver : 1500 VAC for 1 min.
Safety standard	EN 60950-1 2nd

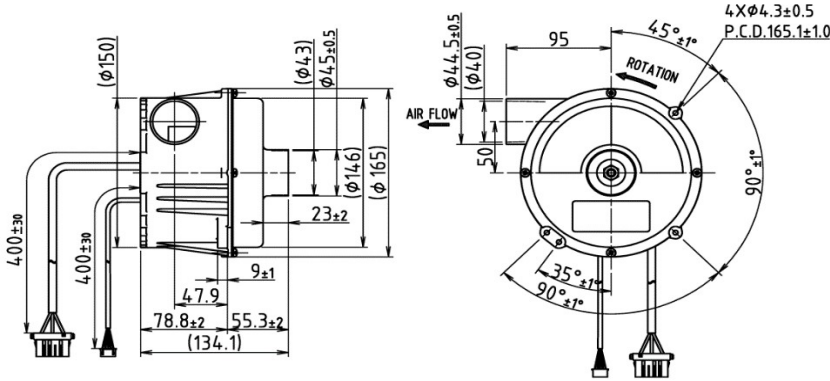
#### ■ Blower Characteristics (Data is for reference and values are not guaranteed.)



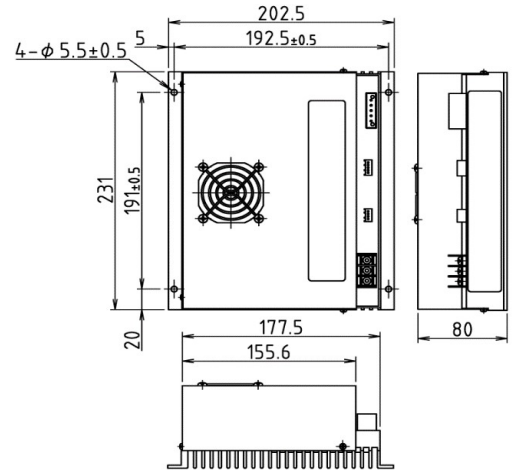
※4 The continuous usable range is 1 m<sup>3</sup>/min or more. (Prohibition of fully-closed use.)

■ 60DCF-475 / 60DCF-477 / 60DCF-478

Blower

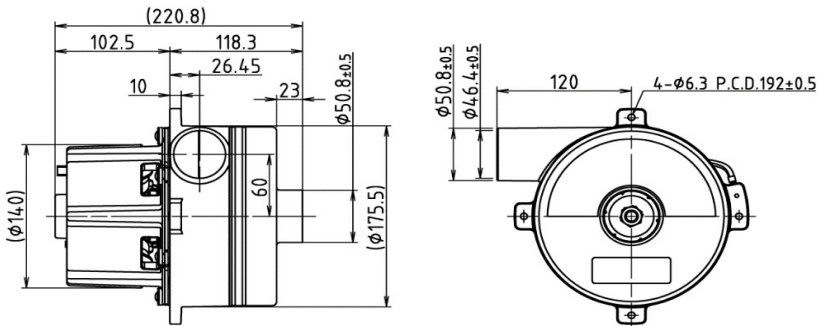


Driver

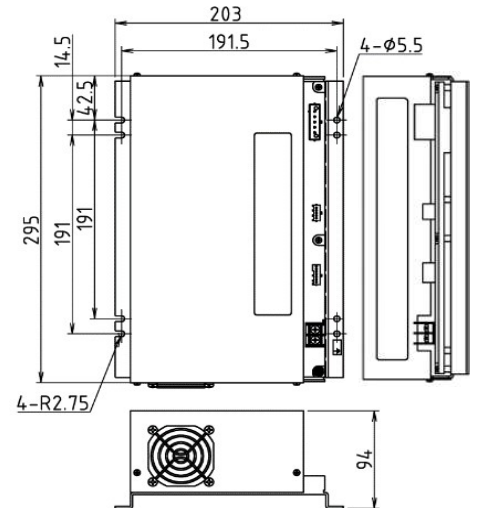


■ 70DCF-371 / 70DCF-372

Blower

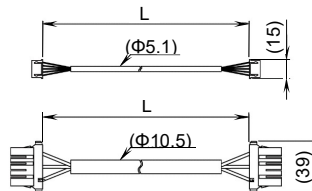


Driver

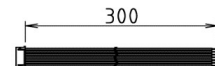


Extension Cables

Model	Length: L (m)
241-70-702-01	1
241-70-702-02	3
241-70-702-03	5



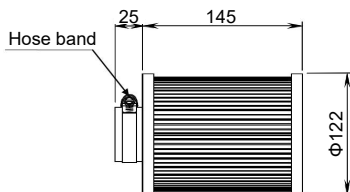
Signal Cable



■ Option

Prefilter

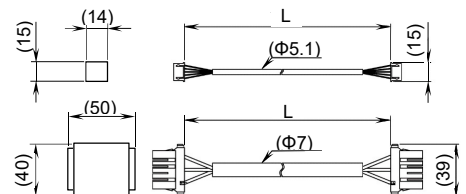
Series	Model
60DCF	781-60-727
70DCF	781-70-702



In 70DCF of 60DCF, the size of the diameter is different.

Extension Cables for 60DCF series

Model	Length: L (m)
241-60-715-01	1
241-60-715-02	3
241-60-715-03	5



MinebeaMitsumi Inc.

Sumitomo Fudosan Mita Twin Bldg. West Wing,  
3-5-27, Mita, Minato-ku, Tokyo 108-6319 Japan  
Tel: +81-(0)3-6758-6736  
Fax: +81-(0)3-6758-6741  
Industrial Machinery Product Sales Management

<http://www.eminebea.com/jp/>

Download Our Various Documents

● Agency