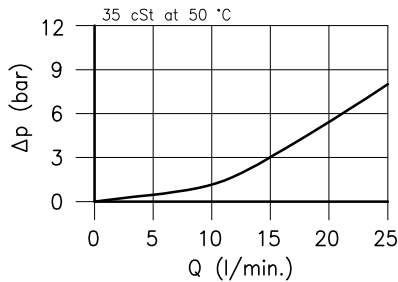
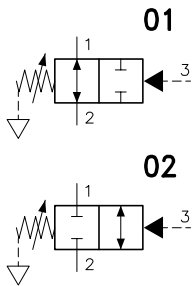
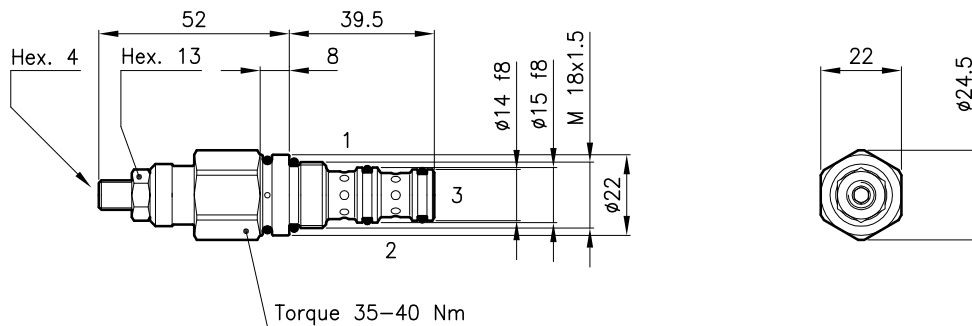


Technical features



Cavity	(For dimensions see catalogue 17.000)	S 20/3
Nominal flow	(l/min.)	20
Max. pressure	(bar)	350
Fluid viscosity range	(cSt)	2.8 - 380
Fluid temperature range	(°C)	-20 +80
Mass	(kg)	0.160
Hydraulic fluid; mineral oil HM and HV	ISO 6074	
Recommended filtration; 19/15 ISO 4466 (25 μ absolutes)		
Standard seals in Polyurethane and Buna N		

Dimensions



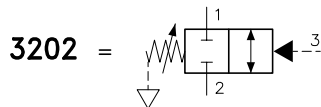
Ordering informations

VDT 20/3201-D-N

VDT 20 = Valve type



Circuits



Standard springs

Type Setting range

- U** = 5 - 30 bar
- D** = 14 - 60 bar
- T** = 35 - 90 bar
- Q** = 50 - 140 bar

Adjustment type

N = Standard adjustment



Codes:

VDT 20/3201-U-N	22 011 128
VDT 20/3201-D-N	22 011 129
VDT 20/3201-T-N	22 011 130
VDT 20/3201-Q-N	22 011 173
VDT 20/3202-U-N	22 011 131
VDT 20/3202-D-N	22 011 132
VDT 20/3202-T-N	22 011 133
VDT 20/3202-Q-N	22 011 181

External seals kit 90 620 101

VDT 20 valves can be assembled on standard bodies 20-C3 series; for dimensions see catalogue 16.010