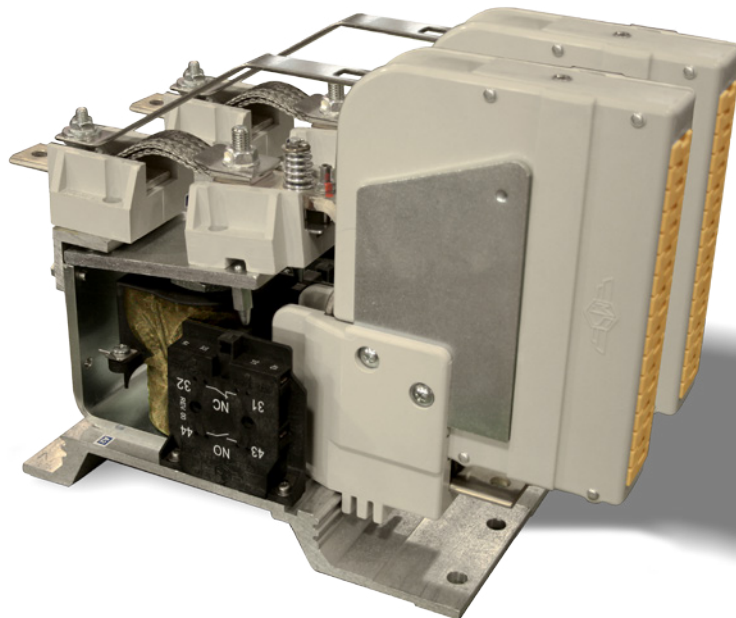


LTHS03202*A01

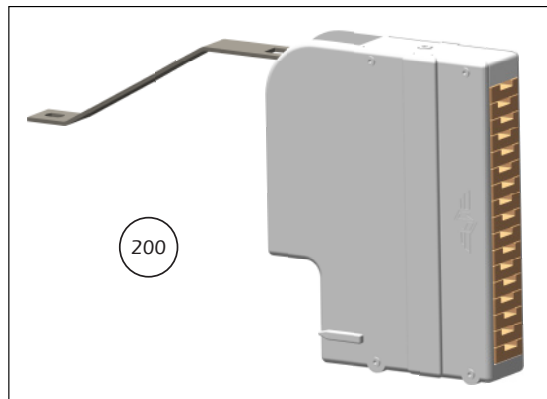
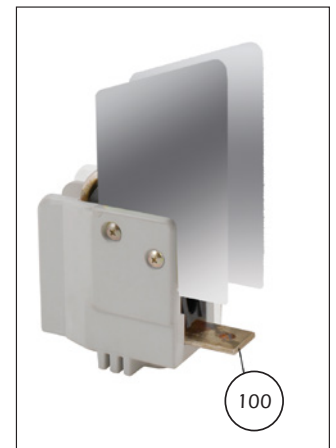
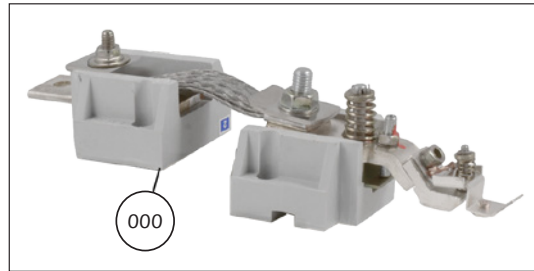
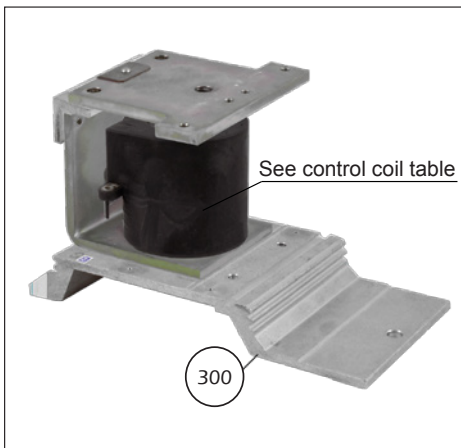
Parts list



Microelettrica Scientifica

File Name: PL_LTHS03202_A01					
Rev.	Date	Description	Prepared	Verified	Approved
05	07/01/16	Parts List	Galimberti	Miglioli	Redaelli

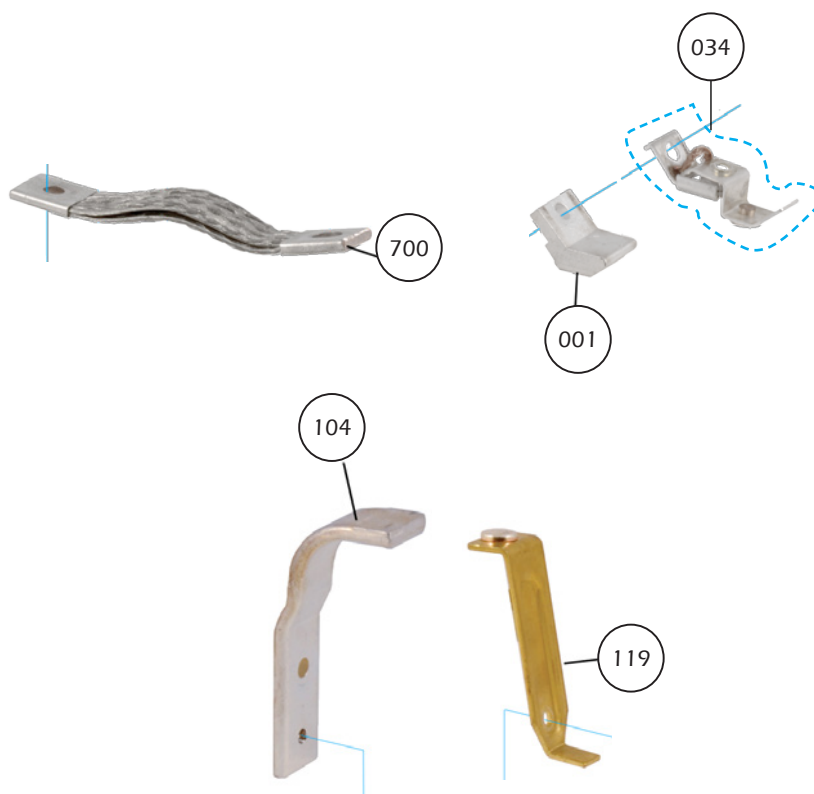
Tavola 1 - Table 1



#	Descrizione - Description	PN	QTY
000	Polo Mobile - Movable pole	8510548	2
100	Polo fisso - Fixed pole	8500552	2
200	Caminetto - Arc chute	8640031/1	2
300	Gruppo nucleo - Core assembly	860005002	1

For any inquires related to components not shown on this manual, or shows as part of an assembly (screws, washers, nuts, plastic components, ect...), please send a dedicated request showing where the component is assembled.

Parti usurabili - Wearing parts



#	Descrizione - Description	PN	QTY
001*	Contatto mobile - Movable contact	0100093/S6	1
034**	Gruppo contatto d'arco mobile - Movable arcing contact assembly	013821401/S6	1
104*	Contatto fisso - Fixed contact	0100108/S6	1
119**	Gruppo contatto d'arco fisso - Fixed arcing contact assembly	0138897/S6	1
700	Treccia - Flexible connection (braid)	8590037	1

*: Movable and fixed contacts (0100108/S6 + 0100093/S6) can only be purchased as a kit through pn 010HS0320S6.

*: I contatti principali (0100108/S6 + 0100093/S6) possono essere acquistati solo tramite il codice kit 010HS0320S6.

** : Movable and fixed arcing contacts (013821401/S6 + 0138897/S6) can only be purchased as a kit through pn 013HS0320S6.

** : I contatti d'arco (013821401/S6 + 0138897/S6) possono essere acquistati solo tramite il codice kit 013HS0320S6.

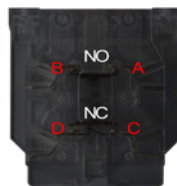
For any inquires related to components not shown on this manual, or shows as part of an assembly (screws, washers, nuts, plastic components, ect...), please send a dedicated request showing where the component is assembled.

Tavola 1 aux. SL (NO+NC/NO+NO) - Table 1 aux. SL (NO+NC/NO+NO)

1. (ABCD) + 2. (P) or (-) + 3. (*) or (**) = PART NUMBER

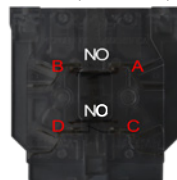


SL11 (NO + NC)



1 Cablaggio / Cabling	2 Codolo / Pin	3 Codice contatti argentati con faston / Part Number silver plated with faston *	3 Codice contatti dorati con faston / Part Number golden plated with faston *	3 Codice contatti argentati con vite / Part Number silver plated with screw **	3 Codice contatti dorati con vite / Part Number golden plated with screw **
13-14 / 21-22	P	2440627	2440627/D	2440627/V	2440627/DV
13-14 / 21-22	-	2440631	2440631/D	2440631/V	2440631/DV
43-44 / 31-32	P	2440628	2440628/D	2440628/V	2440628/DV
43-44 / 31-32	-	2440632	2440632/D	2440632/V	2440632/DV
53-54 / 61-62	P	2440629	2440629/D	2440629/V	2440629/DV
83-84 / 71-72	P	2440630	2440630/D	2440630/V	2440630/DV
Contatti ausiliari ritardati / Delayed auxiliary contacts					
13-14 / 21-22	P	2440627/R	2440627/RD	2440627/RV	2440627/RDV
43-44 / 31-32	P	2440628/R	2440628/RD	2440628/RV	2440628/RDV
53-54 / 61-62	P	2440629/R	2440629/RD	2440629/RV	2440629/RDV
83-84 / 71-72	P	2440630/R	2440630/RD	2440630/RV	2440630/RDV
13-14 / 21-22	-	2440631/R	2440631/RD	2440631/RV	2440631/RDV
43-44 / 31-32	-	2440632/R	2440632/RD	2440632/RV	2440632/RDV

SL20 (NO + NO)



1 Cablaggio / Cabling	2 Codolo / Pin	3 Codice contatti argentati con faston / Part Number silver plated with faston *	3 Codice contatti dorati con faston / Part Number golden plated with faston *	3 Codice contatti argentati con vite / Part Number silver plated with screw **
13-14 / 23-24	P	2440636	2440636/D	2440636/V
13-14 / 23-24	-	2440638	2440638/D	2440638/V
43-44 / 33-34	P	2440637	2440637/D	2440637/V
43-44 / 33-34	-	2440639	2440639/D	2440639/V

Tavola bobine - Coil table



Descrizione - Description	PN
Bobina - Control coil / 24 V	8580633
Bobina - Control coil / 36 V	8580634
Bobina - Control coil / 48 V	8580635
Bobina - Control coil / 72 V	8580637
Bobina - Control coil / 90 V	8580639
Bobina - Control coil / 110 V	8580640
Bobina - Control coil / 16 V	8580632
Bobina - Control coil / 190 V	8580642
Bobina - Control coil / 220 V	8580643
Bobina - Control coil / 125 V	8580641

Descrizione - Description	PN
Varistore 20÷24V - Varistor 20÷24V	2630014
Varistore 32÷60V - Varistor 32÷60V	2630005
Varistore 72÷150V - Varistor 72÷150V	2630001
Varistore 160÷250V - Varistor 160÷250V	2630002

Note

- *: Movable and fixed contacts (0100108/S6 + 0100093/S6) can only be purchased as a kit through pn 010HS0320S6.
- *: I contatti principali (0100108/S6 + 0100093/S6) possono essere acquistati solo tramite il codice kit 010HS0320S6.
- ** : Movable and fixed arcing contacts (013821401/S6 + 0138897/S6) can only be purchased as a kit through pn 013HS0320S6.
- ** : I contatti d'arco (013821401/S6 + 0138897/S6) possono essere acquistati solo tramite il codice kit 013HS0320S6.

In your order, please include the information written on the contactor's label.

The information must include:

- *Job number
- *Type
- *Spec.
- *Week/year

Per cortesia, includete nel vostro ordine le informazione scritte sulla targhetta dei contattori.

Le informazioni dovranno contenere:

- *Conferma
- *Tipo
- *Spec.
- *Sett/anno

- The pictures shown in the manual are not meant to show the assembly order.
- The pictures shown are indicative and may not reflect details shown on actual components.
- For any inquires related to components not shown on this manual, or shows as part of an assembly (screws, washers, nuts, plastic components, ect...), please send a dedicated request showing where the component is assembled.
- Le foto riportate in questo manuale potrebbero non coincidere con il reale assemblaggio dei componenti.
- Le foto riportate in questo manuale sono solo indicative. Alcuni dettagli possono essere omessi.
- Per qualsiasi richiesta relativa a componenti non indicati su questo manuale, o singole parti di un insieme (viti, rondelle, dadi, componenti in plastica, ecc ...), si prega di inviare una richiesta specifica.