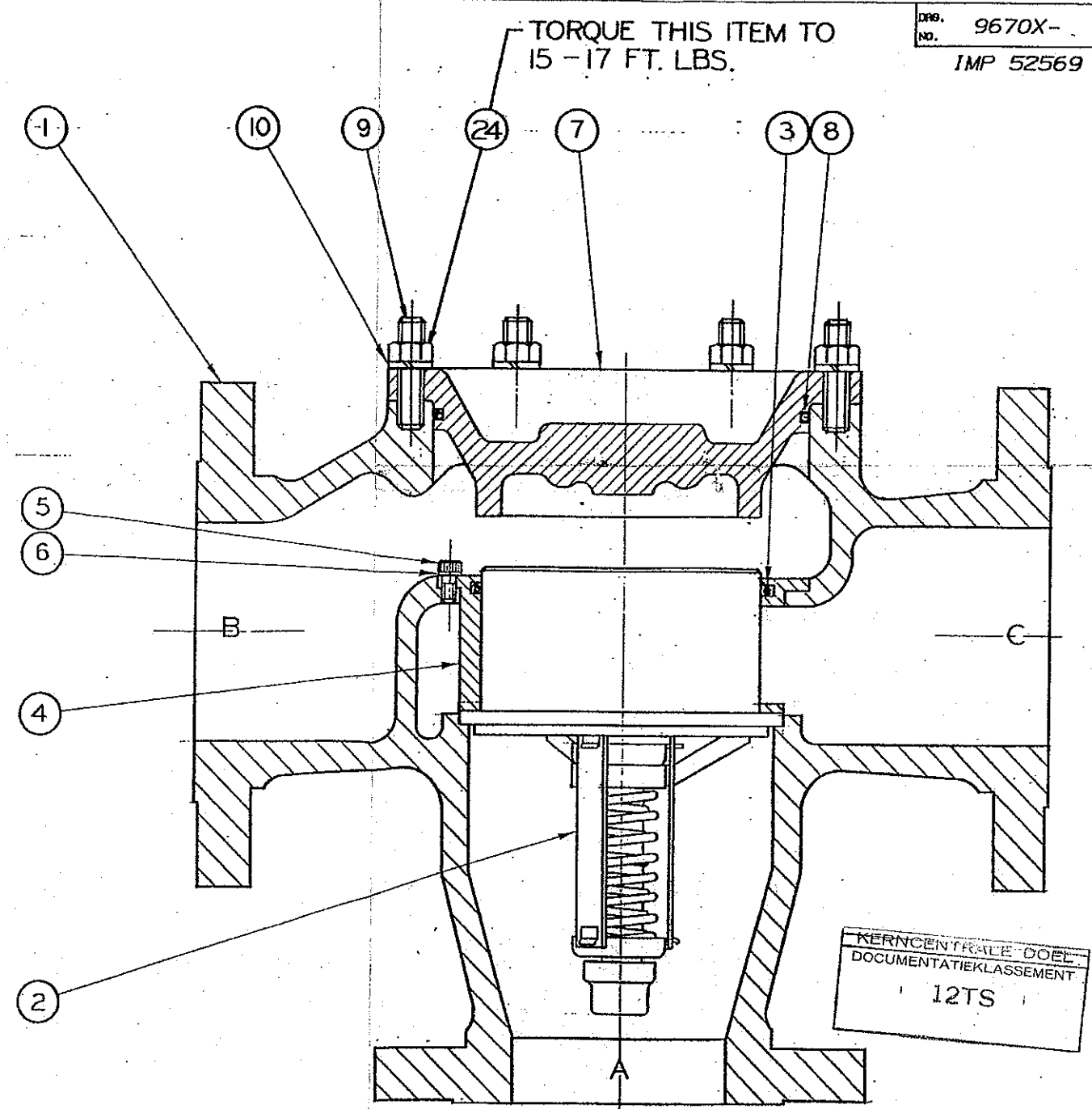


THIRD ANGLE PROJECTION

DRG. NO. 9670X-
IMP 52569

MATERIAL	QTY. REQ'D	DESCRIPTION	PART NO.	REF. NO.
ASTM A-216 GRADE WCB STEEL	1	BODY	9797L001**	1
	1	ELEMENT ASSEMBLY	9760X*	2
	1	O RING	11009L001	3
	1	CAGE	9042	4
	3	SOCKET HEAD CAPSCREW	474L001	5
	3	LOCKWASHER	473	6
ASTM A-216 GRADE WCB STEEL	1	COVER	9041L001**	7
	1	O RING	11007L001	8
SAE GR. 5	6	STUD	10317	9
	6	LOCKWASHER	988L003	10
	1	NAMEPLATE (NOT SHOWN)	6929	11
	4	DRIVE SCREW (NOT SHOWN)	128L001	12
ASTM A563 GRADE B	6	NUT	11349L001	24



* 9760X(---)
THIS NUMBER CORRESPONDS TO NOMINAL TEMPERATURE CODING NUMBER IN MODEL CODING. ELEMENT ASSEMBLY MUST BE CALIBRATED PER AMOT SPIO1A

MODEL NUMBER CODING

4 HO S J --- 01 - B2

- SPECIAL REQUIREMENTS (MTO)
- ELEMENT ASSEMBLY TYPE CODE NO.
- TEMPERATURE SETTING
- CONNECTIONS CODE NO.
- BODY MATERIAL CODE NO.
- VALVE TYPE CODE NO.
- VALVE SIZE

NOTES:

1. VALVE TO BE HYDROSTATICALLY TESTED PER AMOT SPIO2Z
2. THIS THERMOSTATIC VALVE IS A PRODUCT MANUFACTURED BY AMOT CONTROLS CORPORATION IN ACCORDANCE WITH AMOT Q.C. 1 QUALITY CONTROL MANUAL
- ** 3. THESE ITEMS ARE TO BE CONSIDERED AS CRITICAL PARTS
4. PRESSURE RATING - ANSI B16.34 1977 CLASS 150 PSI

CERTIFIED PRINT
Customer COCKERILL - BELGIUM
P.O. No. 9001/11/88 F.O. No. 22908
AMOT Controls Corporation, Richmond, CA USA
By Jim S. Orjic Date SEP 19 88
Engineering Dept.

4HOSJ15001-B2
4HOSJ20501-B2

10000702582/000/00

KCD 12	190	75144	2551
Kalk	A2	Rev.: Ø	ED, 214
Deeln.:			
ACCN:			Verd. Type S:

REV	REVISION RECORD	DATE	BY	REV	REVISION RECORD	DATE	BY	TOLERANCE UNLESS OTHERWISE STATED	DRG CONTROL USA/AF	MAT'L
								INCHES	DRWN RA	CRD AF
								FRACTIONS 3/1010	SCALE NONE	FINISH
								BASIC MM	DATE	TITLE
								3 DEC PL	JULY 25, 1988	ASSEMBLY - THERMOSTATIC VALVE MODEL 4HOS
								ONE DEC PLACE	DIMENSIONS IN MILLIMETERS, INCHES	DRG NO 9670X- IMP 52569
								TWO DEC PLACE	REMOVE ALL BURRS AND SHARP EDGES	Richmond, California, USA - Dury St. Edmunds, Bedford, England
									FILE DATABASE-	x x x 11. 10.