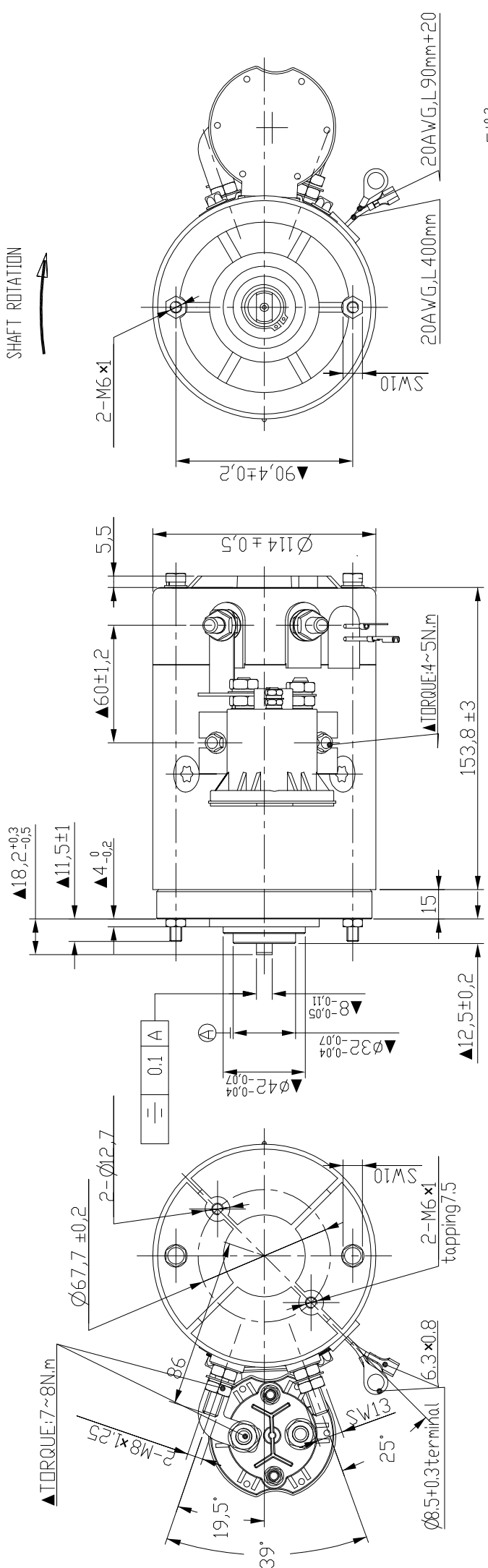


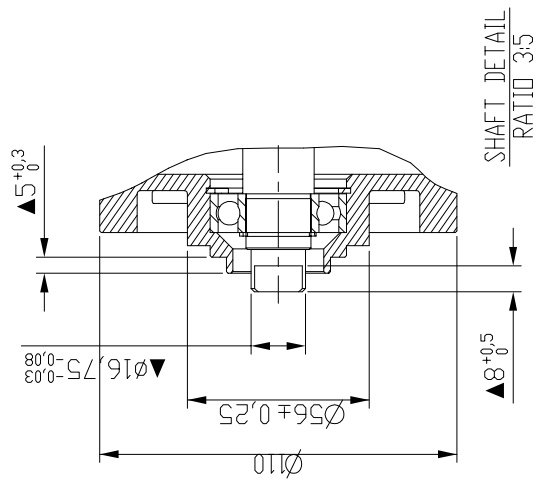
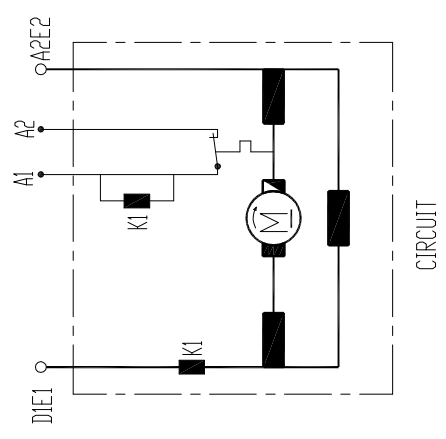
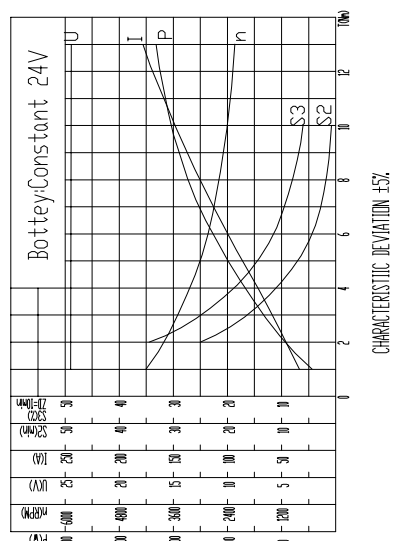
SHAFT ROTATION 



NOTES:
 1 END OF SHAFT HARDENED TO HRC 46-52
 2 MOTOR FRAME AND ALUMINIUM END HEAD

TECHNICAL DATA	
VOLTAGE	24 V
POWER	2,2 KW
SPEED AT 8NM	2600 RPM
ROTATION	CW
WORKING MODE	S2 = 2MIN S3 = 5%ED
PROTECTION GRADE	IP 54
INSULATION CLASS	F
MASS	7,6 KG
EXTERIOR	ZINC PLATED

CHARACTERISTIC



Hydroroven
 Hydraulic Energy
 A MEMBER OF
 Hydrovital Energy
 VIA MANTOVATI, 2 - 36095 TEZZE SUL BRENTA (VI) ITALY
 TEL. +39 0424 539381 FAX +39 0424 69942
 INFO@HYDROROVEN.COM WWW.HYDROROVEN.COM

TYPE: 24V 2.2KW
 CODE: 56250B220LG

E' vietato la riproduzione, anche solo parziale, del disegno se non espressamente autorizzato dalla Ditto Hydroroven S.r.l.
 Reproduction, either in whole or in part, of the item drawing is forbidden if not authorized by Hydroroven S.r.l.