



## DM 6

### Display-Module

- Large LED - Display (red, 14mm character height)
- Large display area (6 digits)
- Adjustable brightness
  
- Direct display of signed numbers
- Decimal point / decimal places can be set
- Direct selection of individual digits with integrated character set
- Flashing function for each digit
- Direct selection of individual segments feasible
  
- Interfaces:
  - Profibus-DP
  - PROFINET-IO
  - CANopen DS301
  - EtherCAT CoE
  - Modbus RS485
  - Other interfaces on request
  
- Setting of different operating modes via interface configuration
- Integrated test function
  
- 24Vdc Supply voltage (18 - 32 Vdc)
- Dimensions and cut-out according to DIN43700

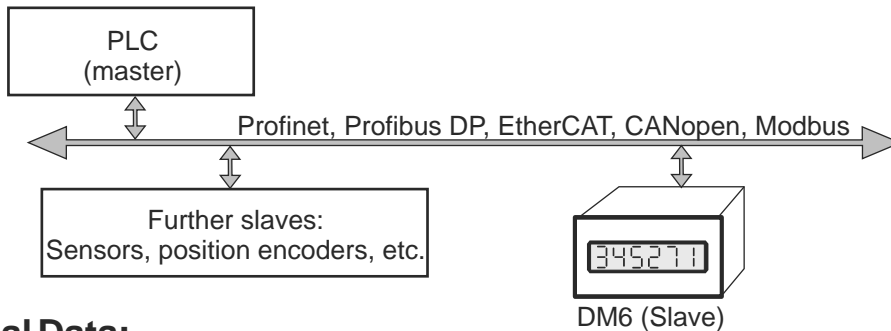
14mm LEDs  
legible  
from 5m!



## Display Module DM6

The DM6 is a display module for Profinet, Profibus-DP, EtherCAT, CANopen or RS485. It can display any number, special characters and some letters. The 14mm high characters are well legible from 5m distance. The display can easily be linked to any network via the built-in interface. The RJ45 connectors for Profinet or EtherCAT are equipped with link and activity LEDs.

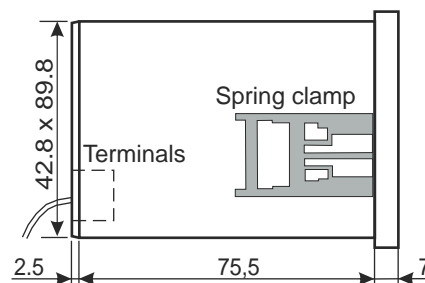
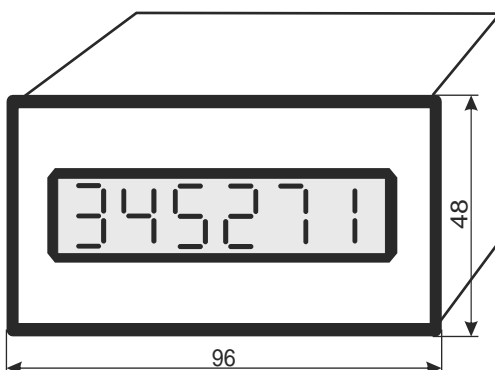
The data and values received from the master are converted and displayed on the 6-digit, 7-segment display. The integrated character set allows that numbers can be directly displayed with decimal places and signs as well as special characters and partially letters. The integrated flashing function offers the possibility to display exceeding limits or alarm states very effectively. The activation of individual display segments as well as many other useful functions are also available. The display module is therefore suitable for displaying any process data such as pressure, flow, positions, temperature, speed, counter values, etc....



### Technical Data:

Display:	LED 7-Segment, red, 6 digits, 14mm height				
Supply voltage:	24 Vdc				
Admissible range:	18 - 32 Vdc				
Ambience temperature:	0 ... 50°C				
Storage temperature:	-20 ... +70°C				
Humidity:	max. 90%, non dewing				
Protection class (front):	IP64 (front, with vertical front panel)				
24V - connection:	Screw-type plug-in terminas, wire up to 1,5mm <sup>2</sup>				
Interface:	Profinet (2-port)	Profibus	EtherCAT	CANopen	RS485
Protocoll:	I/O-device	DP	CoE	DS301	Modbus
Configuration file:	GSDML	GSD	XML	EDS	-
Data rate:	10/100MBit/s	up to 12 MBd	10/100 MBit/s	up to 1 MBd	...115,2kBd
Sync:	-	supported	-	supported	-
Freeze:	-	supported	-	-	-
Connection:	2x RJ45 switched	Sub-D9 female	2x RJ45 switched	Sub-D9 male	Sub-D9 mle
Termination:	-	switch./external	-	external	external

### Dimmensions: Acc. DIN 43700, cut-out 45<sup>+0,6</sup> x 92<sup>+0,8</sup> mm



**Order data:**  
 DM6.100 Displaymodule, Profibus-DP  
 DM6.400 Displaymodule, CANopen  
 DM6.500 Displaymodule, RS485 Modbus  
 DM6.600 Displaymodule, EtherCAT  
 DM6.700 Displaymodule, Profinet

All data in this brochure have an informative character without warranty of characteristics. Changes without previous announcement reserved.

**esitron-electronic GmbH**

Ernst-Zimmermann-Str. 18  
 D-88045 Friedrichshafen  
 Internet: www.esitron.de

Tel. +49(0)7541-6000-0  
 Fax +49(0)7541-6000-11  
 E-Mail: info@esitron.de