



SOUTHERN CALIFORNIA HYDRAULIC ENGINEERING CORPORATION

DESIGNERS AND MANUFACTURERS OF HYDRAULIC & PNEUMATIC EQUIPMENT

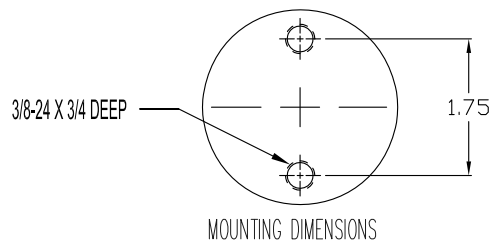
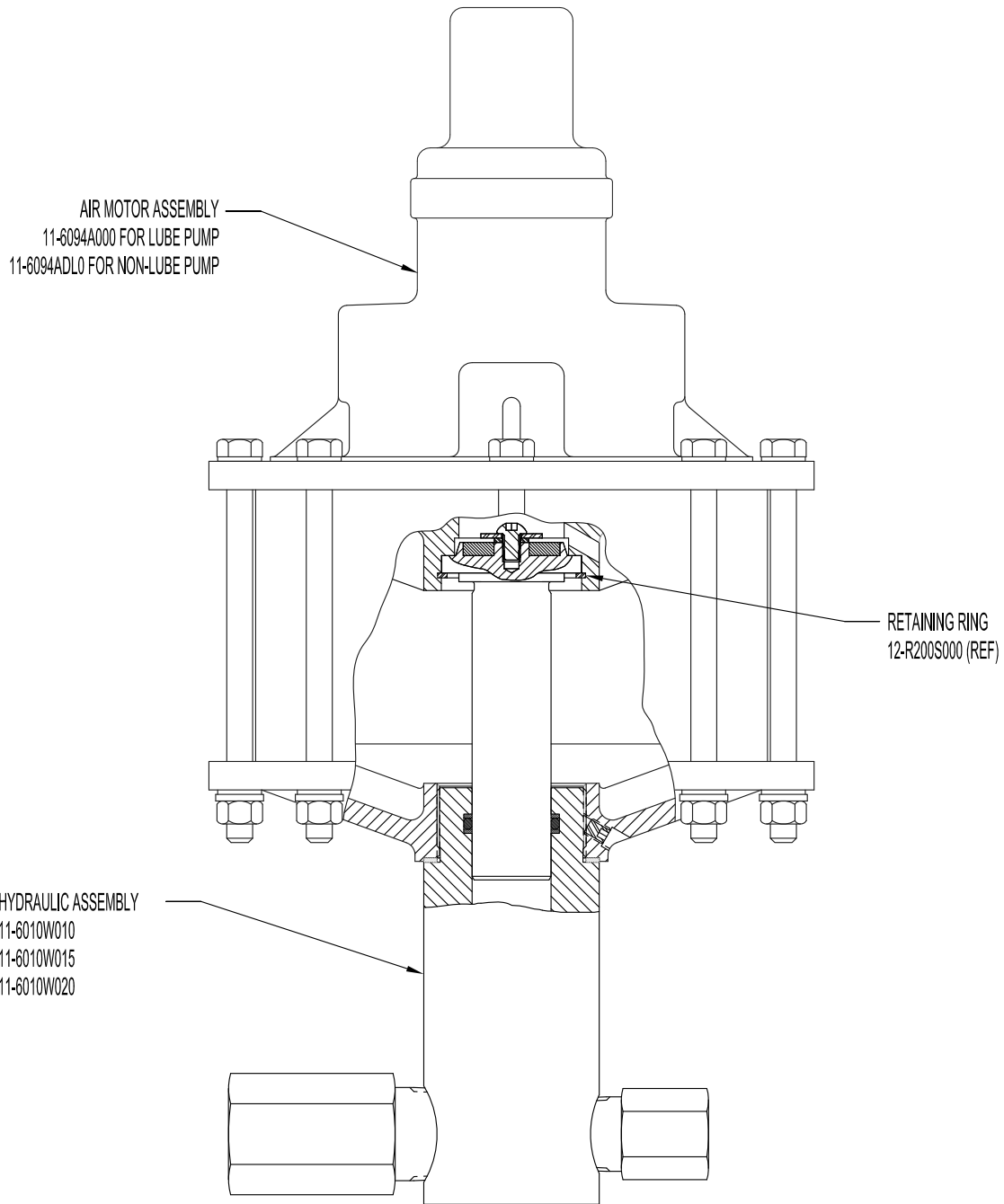
1130 COLUMBIA STREET BREAA, CALIFORNIA 92821

REV. A, 04/07/15

NON-LUBE PUMP ASSEMBLY 10-6000W010 THRU W020

LUBE PUMP ASSEMBLY 10-6000W010L THRU W020L

(NOTE: PART NO. 10-6000W010 THRU W020 WAS D-6000B20 THRU B35)





SOUTHERN CALIFORNIA HYDRAULIC ENGINEERING CORPORATION

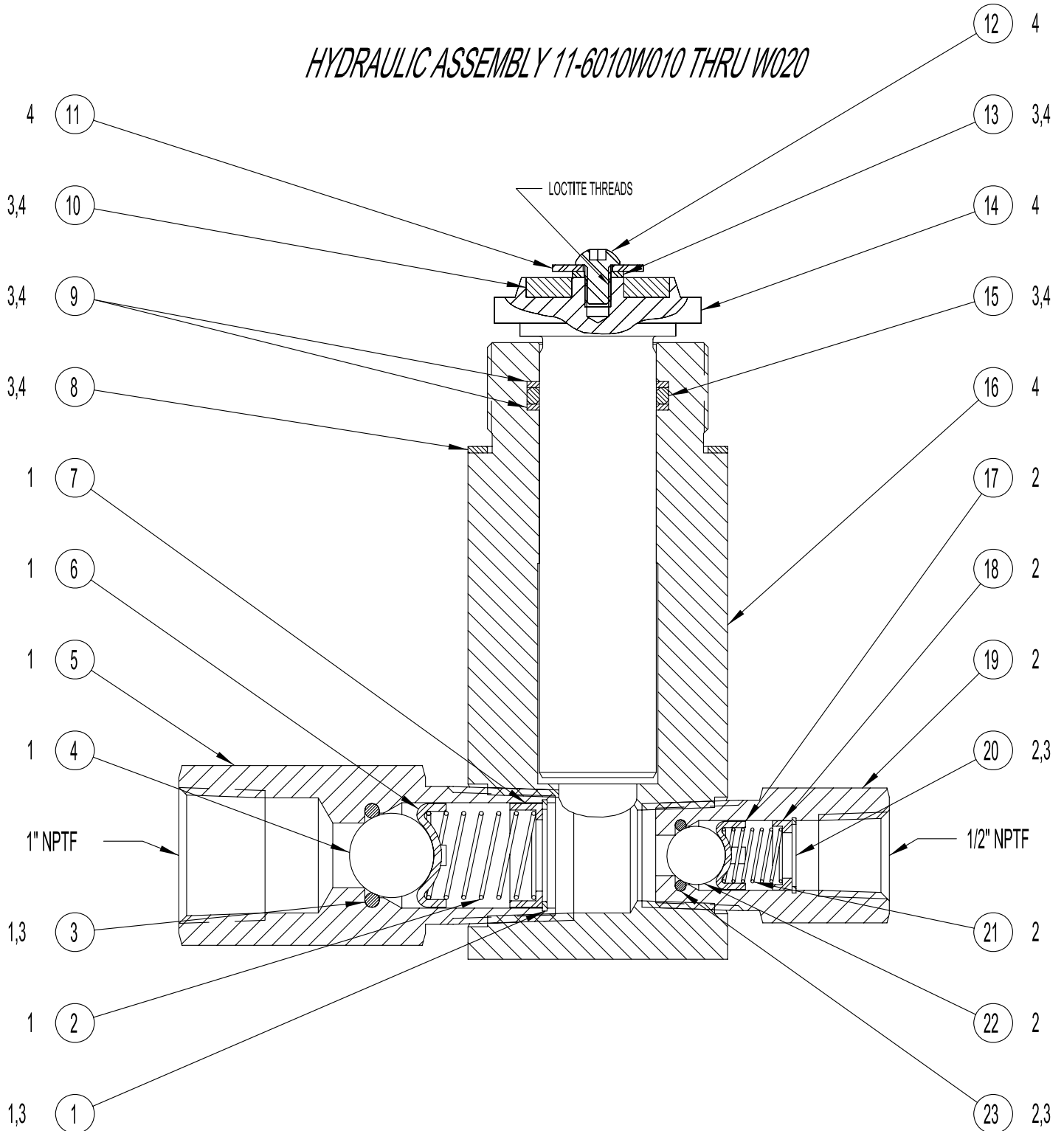
DESIGNERS AND MANUFACTURERS OF HYDRAULIC & PNEUMATIC EQUIPMENT

1130 COLUMBIA STREET BREA, CALIFORNIA 92821

WWW.SCHYDRAULIC.COM

REV. N/C, 01/20/2006

HYDRAULIC ASSEMBLY 11-6010W010 THRU W020



* 4 INCLUDED IN 11-6011WXXX PISTON & CYLINDER ASSEMBLY

* XXX : REPRESENTS HYDRAULIC ASSEMBLY MODEL NUMBER

* 3 INCLUDED IN 11-6099NXXX HYDRAULIC REPAIR KIT

2 INCLUDED IN 11-5023S000 OUTLET CHECK VALVE ASSEMBLY

1 INCLUDED IN 11-5031S000 INLET CHECK VALVE ASSEMBLY



SOUTHERN CALIFORNIA HYDRAULIC ENGINEERING CORPORATION

DESIGNERS AND MANUFACTURERS OF HYDRAULIC & PNEUMATIC EQUIPMENT

1130 COLUMBIA STREET BREA, CALIFORNIA 92821

WWW.SCHYDRAULIC.COM

BILL OF MATERIALS: 11-6010W010 THRU W020 DWG.

DRAWING NUMBER & DESCRIPTION: 11-6010W010 THRU W020 HYDRAULIC ASSY.

REV. N/C, 01/20/2006

ITEM	QTY	PART NO	DESCRIPTION	W010	W015	W020	REFERENCE NO
1	1	P10202-100	RETAINING RING	X	X	X	12-R100S000
2	1	11-5033S000	SPRING	X	X	X	10-450-33
3	1	P11003-210	O-RING, BUNA	X	X	X	12-6227N015S
4	1	12-0440S812	CHECK BALL	X	X	X	
5	1	11-5035S000	SEAT-INLET	X	X	X	10-450-35
6	1	11-5034S003	BALL GUIDE	X	X	X	10-450-34-3
7	1	11-5032S000	SPRING GUIDE	X	X	X	10-450-32
8	1	11-5028N000	GASKET	X	X	X	10-450-28
9	2	P11227-221	BACK-UP	X			12-8774T026
9	2	P11227-219	BACK-UP		X		12-8774T024
9	2	P11227-216	BACK-UP			X	12-8774T021
10	1	11-5051P000	PISTON BUMPER	X	X	X	10-450-51
11	1	12-25N87WF1Z	FENDER WASHER	X	X	X	
12	1	12-25F37SBC45Z	BUTTON HD.CAP SCREW	X	X	X	
13	1	P10212-025	HELICAL SPRING LOCK WASHER	X	X	X	12-5001C407
14	1	11-6008S010	HYDRAULIC PISTON	X			10-550-8-1
14	1	11-6008S015	HYDRAULIC PISTON		X		10-550-8-1.5
14	1	11-6008S020	HYDRAULIC PISTON			X	10-550-8-2
15	1	P11000-221	O-RING, BUNA	X			12-6227N026
15	1	P11000-219	O-RING, BUNA		X		12-6227N024
15	1	P11000-216	O-RING, BUNA			X	12-6227N021
16	1	11-6009B010	HYDRAULIC CYLINDER	X			10-550-9-1
16	1	11-6009B015	HYDRAULIC CYLINDER		X		10-550-9-1.5
16	1	11-6009B020	HYDRAULIC CYLINDER			X	10-550-8-2
17	1	11-5034S002	BALL GUIDE	X	X	X	10-450-34-2
18	1	11-5017S000	SPRING GUIDE	X	X	X	10-450-17
19	1	11-5020S000	SEAT-OUTLET	X	X	X	10-450-20
20	1	P10202-068	RETAINING RING	X	X	X	12-R068S000
21	1	11-5013S000	SPRING	X	X	X	10-450-13
22	1	12-0440S562	CHECK BALL	X	X	X	
23	1	P11003-112	O-RING	X	X	X	12-6227N010S

WHERE USED: 10-6000W010 THRU W020
10-6000W010L THRU W020L
80-6001W010 THRU W020