



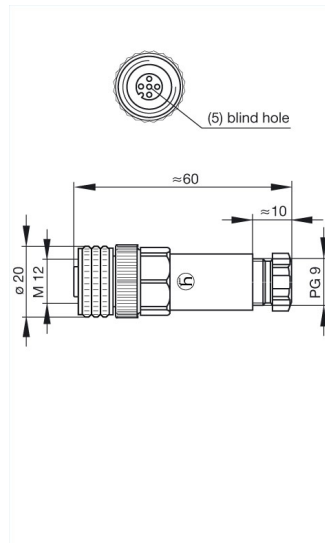
## ELKA 4012 PG9

Industrial Connectors: Circular Connectors E-series M12/FIXCON: with screw locking: Straight cable socket, self-assembled

### Product description

Description	Straight cable socket, unassembled, strain relief by means of clamping cage
Type	ELKA 4012 PG9
Order No.	933 169-100
Type of contact	female
Number of contacts	4
Cable gland	PG 9
Conductor size	max. 0.75 mm <sup>2</sup>
Standard	IEC 61076-2-101 (Ed. 1)/ IEC 60947-5-2
Housing Color	black

### Drawing



### Technical data

Rated voltage	250 V AC/DC
Rated current	4 A
Type of termination	screw
Suitable cables	diameter 6 mm to 8 mm

### Material

Contact material	Cu Zn
Contact surface material	Sn
Contact bearer material	PA
Housing material	PA
Coupling nut material	Zn Al/Ni
O-Ring	NBR

### Environmental conditions

Protection class (IEC 60529)	IP 67
Pollution severity	3
Temperature range	-25 °C to +90 °C

### Inflammability class

Housing	94 V-2
Contact bearer	94 V-2
<b>Approvals</b>	
UL	UL pending
<b>Packing unit</b>	
Packaging unit	100 pieces
<b>Scope of delivery and accessories</b>	
Accessories to order separately	protective cap M12 VS, order no. 734 209-100