

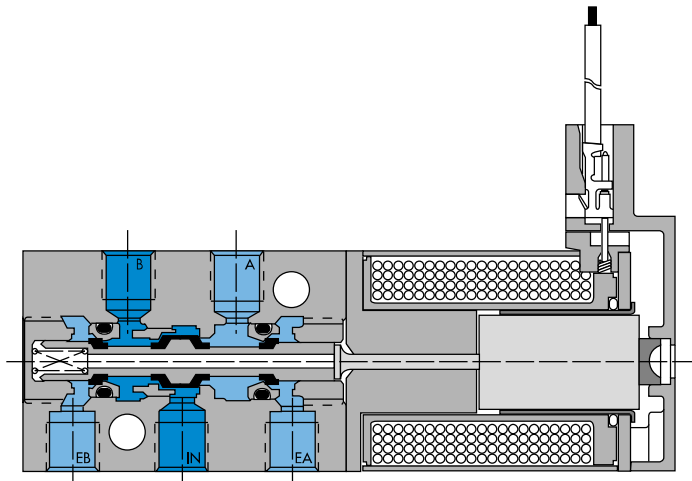


Direct solenoid and solenoid pilot operated valves

Individual mounting



Circuit bar mounting





Direct solenoid and solenoid pilot operated valves

Function	Port size	Flow (Max)	Individual mounting
5/2	M5	100 NI/min	inline

OPERATIONAL BENEFITS

1. 10 mm valve, direct solenoid operated.
2. Balanced poppet, immune to variations of pressure.
3. Short stroke with high flow.
4. The patented solenoid develops high shifting forces.
5. Powerful return spring.
6. Flow is specifically adjusted on each valve.
7. Manual operator standard on all valves.

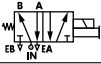
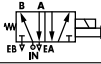


HOW TO ORDER

Reset

44A-xxx-Gxxx-xxx

PRESSURE RANGE : 0 TO 8.5 BAR

Port size	Universal valve	For use with external flow regulators
M5	 <input type="radio"/> 44A-ABA-Gxxx-xxx	 <input type="radio"/> 44A-BBA-Gxxx-xxx

SOLENOID OPERATOR >

G **XX X- X XX**

XX Voltage	X Wire length	X Manual operator	XX Electrical connection
<input type="radio"/> DA 24V=/1W	<input type="radio"/> A 45 cm	<input type="radio"/> 1 Non-locking	<input type="radio"/> BA Flying leads
<input type="radio"/> DC 24V=/1,8W	<input type="radio"/> c 92 cm		<input type="radio"/> BT Flying leads with light
<input type="radio"/> DD 24V=/2,5W	<input type="radio"/> x Other Options		<input type="radio"/> KA Mini connector
<input type="radio"/> DF 24V=/4W			<input type="radio"/> KT Mini connector with light
<input type="radio"/> xx Other Options			<input type="radio"/> xx Other Options



100%
OF
PRODUCTION
TESTED
100%

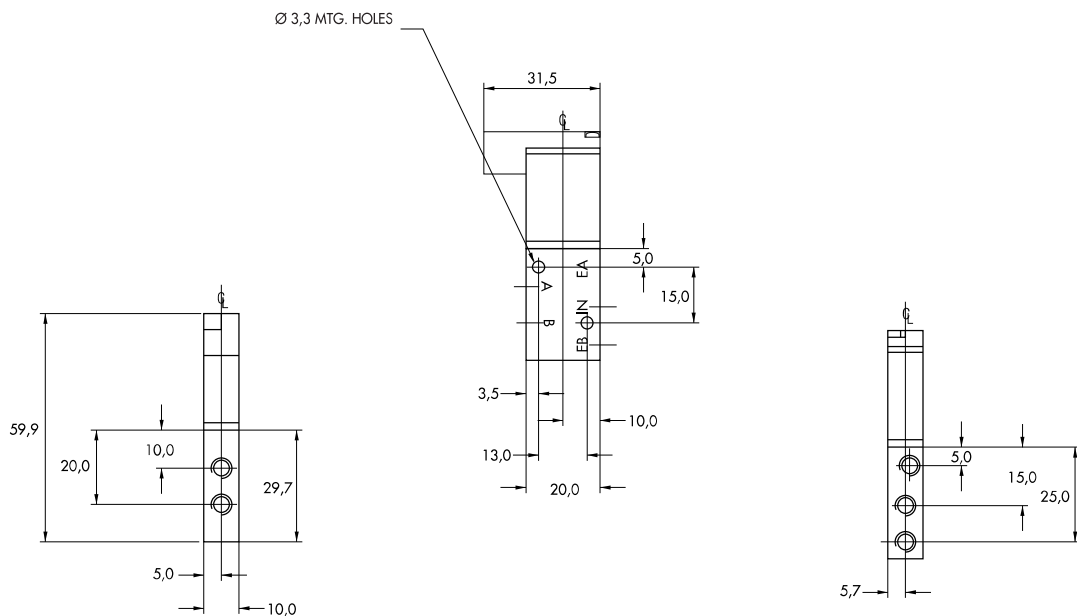
WARRANTY
18
MONTHS

**TECHNICAL
DATA**

Fluid :	Compressed air, vacuum, inert gases
Pressure range :	Vacuum to 8.5 bar
Lubrication :	Not required, if used select a medium aniline point lubricant (between 80°C and 100°C)
Filtration :	40 µ
Temperature range :	-18°C to +50°C
Orifice :	1.8 mm
Flow (at 6 bar, ΔP=1bar) :	4 W : 100Nl/min (C _v 0.1) - 2.5 W : 80 Nl/min (C _v 0.08) - 1.8 W : 60 Nl/min (C _v 0.06) - 1.0 W : 50 Nl/min (C _v 0.05)
Leak rate :	50 cm ³ /min
Coil :	Epoxy encapsulated - class A wires - 100% ED
Voltage range :	-15% to +10% of nominal voltage
Protection :	IP 54
Power :	4 W - 2.5 W - 1.8 W - 1.0 W
Response times : (with 4 W coil)	Energize : 3.5 ms De-energize : 1.5 ms

Note : • Valve and coil are not interchangeable.

DIMENSIONS





Direct solenoid and solenoid pilot operated valves

Function	Port size	Flow (Max)	Circuit bar mounting
5/2	M5	80 NI/min	cylinder ports in base

OPERATIONAL BENEFITS

1. 10 mm valve, direct solenoid operated.
2. Balanced poppet, immune to variations of pressure.
3. Short stroke with high flow.
4. The patented solenoid develops high shifting forces.
5. Powerful return spring.
6. Flow is specifically adjusted on each valve.
7. Manual operator standard on all valves.

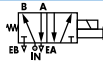
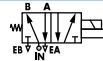


HOW TO ORDER

Reset

44A-xxx-Gxxx-xxx

HOW TO ORDER VALVE FOR CIRCUIT BAR MOUNTING

Port size (see base)	Universal valve	For use with external flow regulators
Valve less base	 <input type="radio"/> 44A-100-Gxxx-xxx	 <input type="radio"/> 44A-MOO-Gxxx-xxx

SOLENOID OPERATOR >

G **XX X- X XX***

XX Voltage	X Wire length	X Manual operator	XX Electrical connection
<input type="radio"/> DA 24V=/1W	<input type="radio"/> A 45 cm	<input type="radio"/> 1 Non-locking	<input type="radio"/> BA Flying leads
<input type="radio"/> DC 24V=/1,8W	<input type="radio"/> c 92 cm		<input type="radio"/> BT Flying leads with light
<input type="radio"/> DD 24V=/2,5W	<input type="radio"/> x Other Options		<input type="radio"/> KA Mini connector
<input type="radio"/> DF 24V=/4W			<input type="radio"/> KT Mini connector with light
<input type="radio"/> xx Other Options			<input type="radio"/> xx Other Options

HOW TO ORDER CIRCUIT BAR**

EBP44A-xxxx-xx

Port size	Side cylinder ports	Bottom cylinder ports
M5	<input type="radio"/> EBP44A-001D-xx	<input type="radio"/> EBP44A-002D-xx

** Other options available. Consult factory.

Number of stations (03=3 stations)

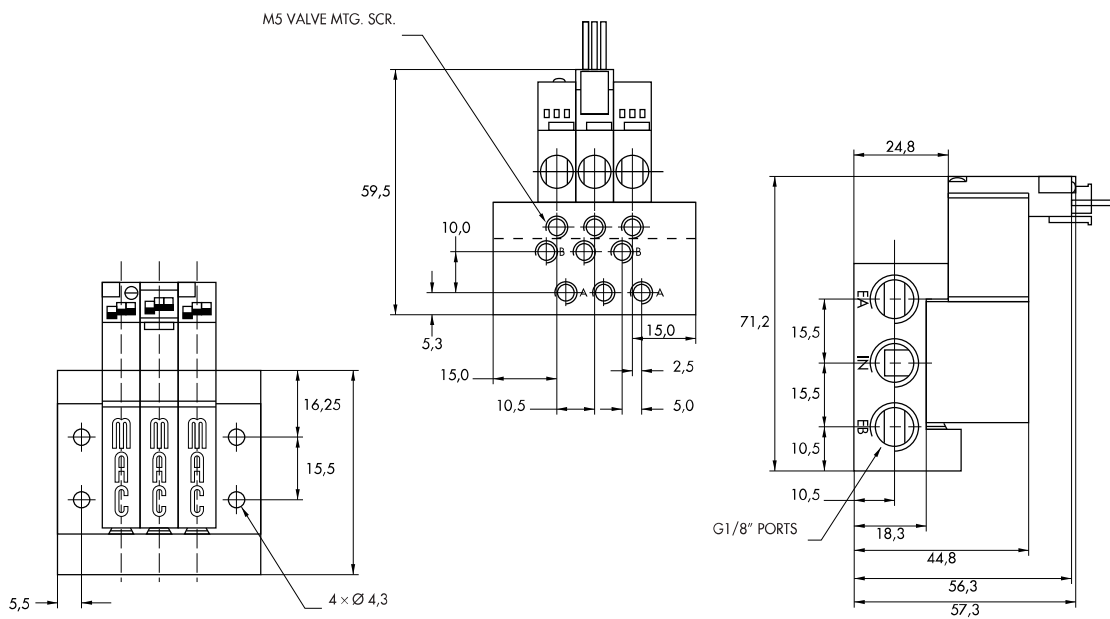
Note click for valves mounted on base at the factory (add -9 to the model number).

**T E C H N I C A L
D A T A**

Fluid :	Compressed air, vacuum, inert gases
Pressure range :	Vacuum to 8.5 bar
Lubrication :	Not required, if used select a medium aniline point lubricant (between 80°C and 100°C)
Filtration :	40 µ
Temperature range :	-18°C to +50°C
Orifice :	1.8 mm
Flow (at 6 bar, ΔP=1bar) :	4 W : 80Nl/min (C _v 0.08) - 2.5 W : 60 Nl/min (C _v 0.06) - 1.8 W : 40 Nl/min (C _v 0.04) - 1.0 W : 30 Nl/min (C _v 0.03)
Leak rate :	50 cm ³ /min
Coil :	Epoxy encapsulated - class A wires - 100% ED
Voltage range :	-15% to +10% of nominal voltage
Protection :	IP 54
Power :	4 W - 2.5 W - 1.8 W - 1.0 W
Response times :	Energize : 3.4 ms
(with 4 W coil)	De-energize : 1.5 ms

- Note : • Valve and coil are not interchangeable.
- Spare parts : • Valve mounting kit : N-44001. • Blanking plate : 30428-A.
- Options : • Isolation of inlet and/or exhaust.

D I M E N S I O N S





Direct solenoid and solenoid pilot operated valves

Function	Port size	Flow (Max)	Circuit bar mounting
5/2	M5	80 NI/min	cylinder ports in valve

OPERATIONAL BENEFITS

1. 10 mm valve, direct solenoid operated.
2. Balanced poppet, immune to variations of pressure.
3. Short stroke with high flow.
4. The patented solenoid develops high shifting forces.
5. Powerful return spring.
6. Flow is specifically adjusted on each valve.
7. Manual operator standard on all valves.

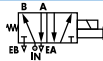
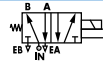


HOW TO ORDER

Reset

44A-xxx-Gxxx-xxx

HOW TO ORDER VALVE FOR CIRCUIT BAR MOUNTING

Port size M5	Universal valve	For use with external flow regulators
Valve less base	 <input type="radio"/> 44A-ABA-Gxxx-xxx	 <input type="radio"/> 44A-BBA-Gxxx-xxx

SOLENOID OPERATOR >

G **XX X- X XX***

XX Voltage	X Wire length	X Manual operator	XX Electrical connection
<input type="radio"/> DA 24V=/1W	<input type="radio"/> A 45 cm	<input type="radio"/> 1 Non-locking	<input type="radio"/> BA Flying leads
<input type="radio"/> DC 24V=/1,8W	<input type="radio"/> c 92 cm		<input type="radio"/> BT Flying leads with light
<input type="radio"/> DD 24V=/2,5W	<input type="radio"/> x Other Options		<input type="radio"/> KA Mini connector
<input type="radio"/> DF 24V=/4W			<input type="radio"/> KT Mini connector with light
<input type="radio"/> xx Other Options			<input type="radio"/> xx Other Options

HOW TO ORDER CIRCUIT BAR**

EBM44A-xxxx-xx

Port size	
M5	<input type="radio"/> EBM44A-001D-xx
G1/8"	<input type="radio"/> EBM44A-002C-xx

** Other options available. Consult factory.

Note click for valves mounted on base at the factory (add -9 to the model number).

Number of stations (03=3 stations)



100%
OF
PRODUCTION
TESTED
100%

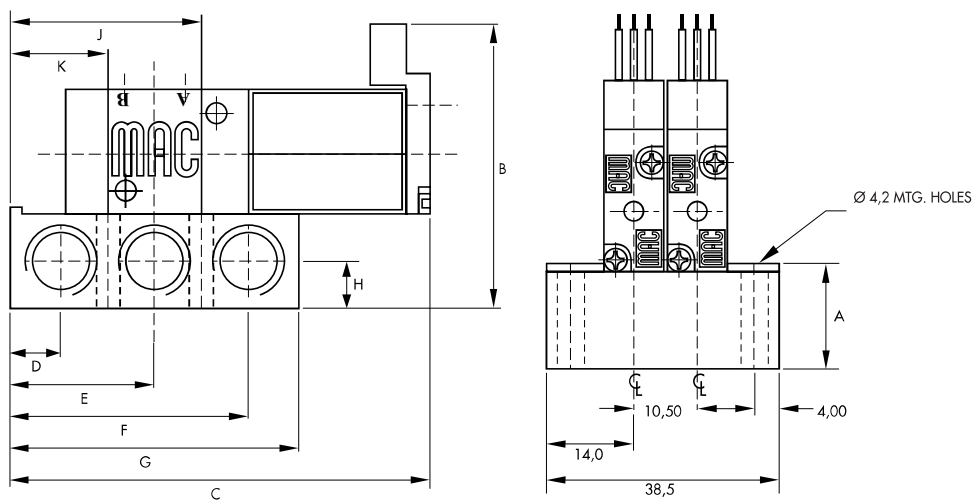
WARRANTY
18
MONTHS

**TECHNICAL
DATA**

Fluid :	Compressed air, vacuum, inert gases
Pressure range :	Vacuum to 8.5 bar
Lubrication :	Not required, if used select a medium aniline point lubricant (between 80°C and 100°C)
Filtration :	40 µ
Temperature range :	-18°C to +50°C
Orifice :	1.8 mm
Flow (at 6 bar, ΔP=1bar) :	4 W : 80Nl/min (C _v 0.08) - 2.5 W : 60 Nl/min (C _v 0.06) - 1.8 W : 40 Nl/min (C _v 0.04) - 1.0 W : 30 Nl/min (C _v 0.03)
Leak rate :	50 cm ³ /min
Coil :	Epoxy encapsulated - class A wires - 100% ED
Voltage range :	-15% to +10% of nominal voltage
Protection :	IP 54
Power :	4 W - 2.5 W - 1.8 W - 1.0 W
Response times :	Energize : 3.5 ms
(with 4 W coil)	De-energize : 1.5 ms

- Note : • Valve and coil are not interchangeable.
- Spare parts : • Valve mounting kit (M5) : M-44001-21. • Valve mounting kit (G1/8") : M-44001-01.
- Options : • Isolation of inlet and/or exhaust.

DIMENSIONS



Port size	A	B	C	D	E	F	G	H	J	K
G1/8"	16,0	47,5	69,2	8,5	24,0	39,5	48,0	8,0	31,85	16,15
M5	12,0	43,5	63,2	5,0	17,0	29,0	34,0	6,0	23,00	11,00