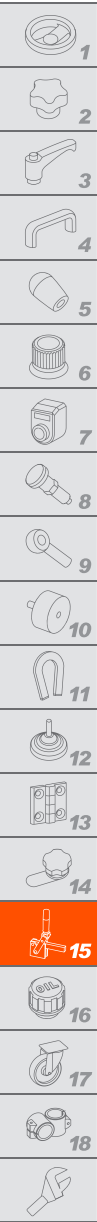


# PVC. | Pneumatic clamps

with toggle-joint support, steel



## MATERIAL

C10 zinc-plated steel.

## RIVETS AND PINS

Zinc-plated steel.

## HEXAGON-SOCKET HEAD SCREWS WITH COUNTERSINK FOR CYLINDER SUPPORT

Black-oxide steel.

## CYLINDER SUPPORT BUSHING

Hardened steel.

## ROTATING PIN AND SEEGER RINGS

Hardened steel.

## STANDARD EXECUTIONS

- **PVC-APV3**: with open clamping lever and two folded washers.
- **PVC-APVM**: with magnetic cylinder, open clamping lever and two folded washers.
- **PVC-EPV3**: with solid clamping lever retainer for welding.
- **PVC-EPVM**: with magnetic cylinder, solid clamping lever and retainer for welding.

## MAXIMUM WORKING PRESSURE

6 bars.

## MAX WORKING TEMPERATURE

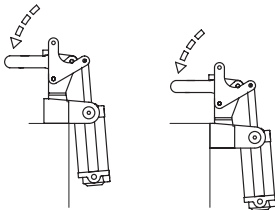
80°C.

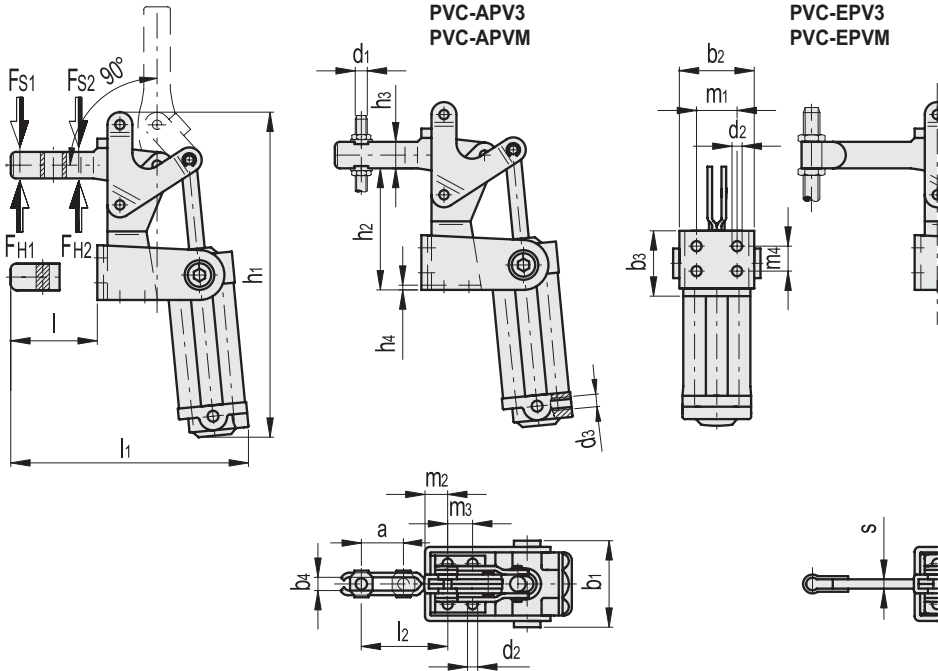
## CLAMPING BOLTS

To be ordered separately.

## FEATURES AND APPLICATIONS

All articulated joints are lubricated with special grease. PVC. pneumatic clamps can be installed on two different fixing surfaces. Executions PVC-APVM and PVC-EPVM (with magnetic cylinder), equipped with limit switches type PSW. (see page 1660) (to be ordered separately) gives drive and/or control impulses while active. Using a lubrication filter assembly is necessary for the cylinder to work properly for a long time, whereas flow regulators are recommended to guarantee long life of mechanical components.





METRIC

PVC-APV3

Code	Description	a	b1	b2	b3	b4	d1	d2	d3	h1	h2	h3	h4	l	l1	l2	m1	m2	m3	m4	FH1 [N]*	FH2 [N]*	FS1 [N]#	FS2 [N]#	⚖
GG.AO181	PVC.200-APV3	34	59.5	51	35	8.5	M8	6.5	G1/8	210	78	17	3	55	149	59	26	14.5	16	16	1200	2400	900	1500	1200
GG.AO221	PVC.300-APV3	42	68.5	60.5	50	10.3	M10	8.5	G1/4	258	108	20	3	71	186	74	30	16.5	28	30	1900	2000	1200	2400	2450

PVC-APVM

Code	Description	a	b1	b2	b3	b4	d1	d2	d3	h1	h2	h3	h4	l	l1	l2	m1	m2	m3	m4	FH1 [N]*	FH2 [N]*	FS1 [N]#	FS2 [N]#	⚖
GG.AO182	PVC.200-APVM	34	59.5	51	35	8.5	M8	6.5	G1/8	210	78	17	3	55	149	59	26	14.5	16	16	1200	2400	900	1500	1200
GG.AO222	PVC.300-APVM	42	68.5	60.5	50	10.3	M10	8.5	G1/4	258	108	20	3	71	186	74	30	16.5	28	30	1900	2000	1200	2400	2450

PVC-EPV3

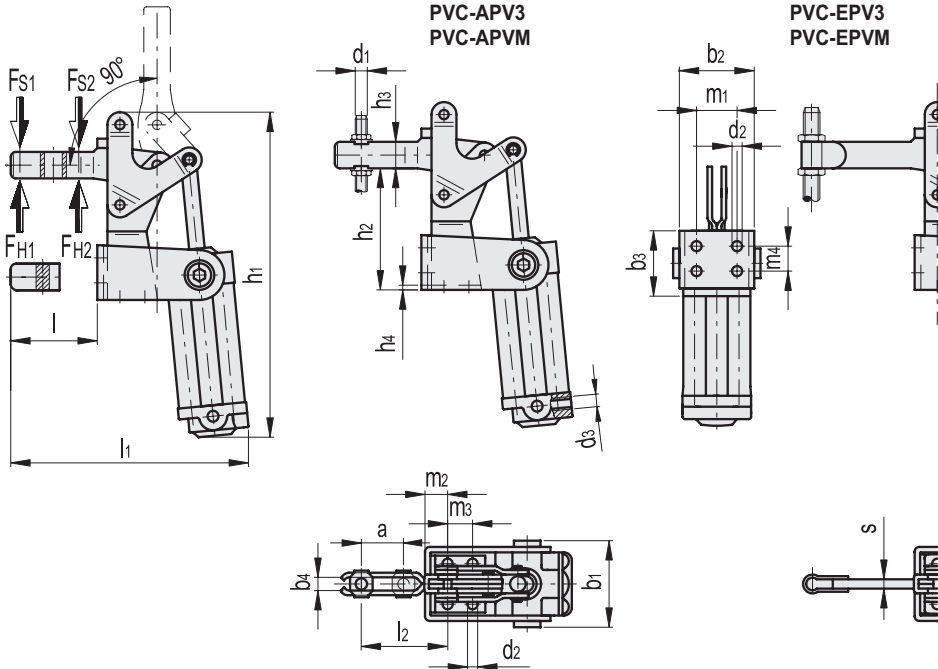
Code	Description	b1	b2	b3	d1	d2	d3	h1	h2	h3	h4	l	l1	m1	m2	m3	m4	s	FH1 [N]*	FH2 [N]*	FS1 [N]#	FS2 [N]#	⚖
GG.AO186	PVC.200-EPV3	59.5	51	35	M8	6.5	G1/8	210	78	17	3	57	151	26	14.5	16	16	6	1200	2400	900	1500	1200
GG.AO226	PVC.300-EPV3	68.5	60.5	50	M10	8.5	G1/4	258	108	20	3	72.5	187.5	30	16.5	28	30	8	1900	2000	1200	2400	2450

PVC-EPVM

Code	Description	b1	b2	b3	d1	d2	d3	h1	h2	h3	h4	l	l1	m1	m2	m3	m4	s	FH1 [N]*	FH2 [N]*	FS1 [N]#	FS2 [N]#	⚖
GG.AO187	PVC.200-EPVM	59.5	51	35	M8	6.5	G1/8	210	78	17	3	57	151	26	14.5	16	16	6	1200	2400	900	1500	1200
GG.AO227	PVC.300-EPVM	68.5	60.5	50	M10	8.5	G1/4	258	108	20	3	72.5	187.5	30	16.5	28	30	8	1900	2000	1200	2400	2450

\* Holding force.  
# Clamping force ~4 bar





METRIC

PVC-APV3

Code	Description	a	b1	b2	b3	b4	d1	d2	d3	h1	h2	h3	h4	l	l1	l2	m1	m2	m3	m4	FH1 [N]*	FH2 [N]*	FS1 [N]#	FS2 [N]#	⚖
GG.AO181	PVC.200-APV3	34	59.5	51	35	8.5	M8	6.5	G1/8	210	78	17	3	55	149	59	26	14.5	16	16	1200	2400	900	1500	1200
GG.AO221	PVC.300-APV3	42	68.5	60.5	50	10.3	M10	8.5	G1/4	258	108	20	3	71	186	74	30	16.5	28	30	1900	2000	1200	2400	2450

PVC-APVM

Code	Description	a	b1	b2	b3	b4	d1	d2	d3	h1	h2	h3	h4	l	l1	l2	m1	m2	m3	m4	FH1 [N]*	FH2 [N]*	FS1 [N]#	FS2 [N]#	⚖
GG.AO182	PVC.200-APVM	34	59.5	51	35	8.5	M8	6.5	G1/8	210	78	17	3	55	149	59	26	14.5	16	16	1200	2400	900	1500	1200
GG.AO222	PVC.300-APVM	42	68.5	60.5	50	10.3	M10	8.5	G1/4	258	108	20	3	71	186	74	30	16.5	28	30	1900	2000	1200	2400	2450

PVC-EPV3

Code	Description	b1	b2	b3	d1	d2	d3	h1	h2	h3	h4	l	l1	m1	m2	m3	m4	s	FH1 [N]*	FH2 [N]*	FS1 [N]#	FS2 [N]#	⚖
GG.AO186	PVC.200-EPV3	59.5	51	35	M8	6.5	G1/8	210	78	17	3	57	151	26	14.5	16	16	6	1200	2400	900	1500	1200
GG.AO226	PVC.300-EPV3	68.5	60.5	50	M10	8.5	G1/4	258	108	20	3	72.5	187.5	30	16.5	28	30	8	1900	2000	1200	2400	2450

PVC-EPVM

Code	Description	b1	b2	b3	d1	d2	d3	h1	h2	h3	h4	l	l1	m1	m2	m3	m4	s	FH1 [N]*	FH2 [N]*	FS1 [N]#	FS2 [N]#	⚖
GG.AO187	PVC.200-EPVM	59.5	51	35	M8	6.5	G1/8	210	78	17	3	57	151	26	14.5	16	16	6	1200	2400	900	1500	1200
GG.AO227	PVC.300-EPVM	68.5	60.5	50	M10	8.5	G1/4	258	108	20	3	72.5	187.5	30	16.5	28	30	8	1900	2000	1200	2400	2450

\* Holding force.

# Clamping force ~4 bar

