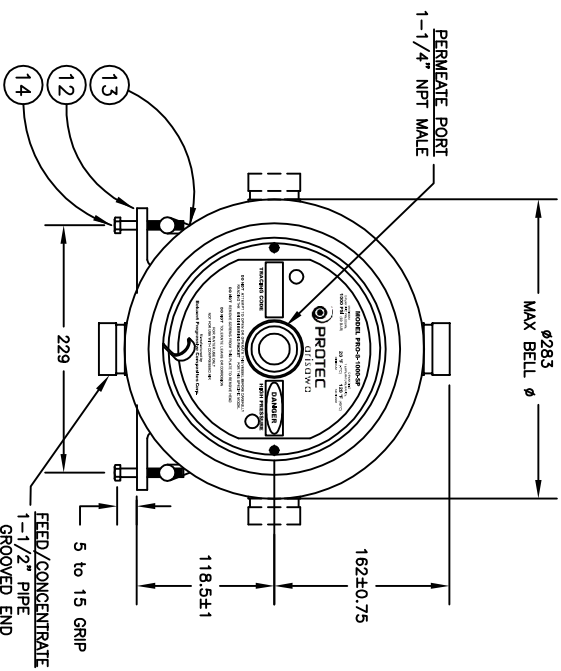


Design Pressure = 1000 PSI @ 120 °F
 Min. Design Temperature = 20 °F @ 1000 PSI
 Hydrotest Pressure = 1100 PSI

1000 PSI
 SIDE PORT



Munquía Facility

DIMENSIONS IN MM.
 FOR REFERENCE ONLY. NOT TO BE USED FOR CONSTRUCTION UNLESS CERTIFIED
 CENTER VESSEL ON 2 OR 3 SUPPORTS AT SPAN(S) "S". 3 SUPPORTS REQUIRED FOR LENGTHS 4 AND OVER
 INCORRECT MANIFOLDING WILL CAUSE SEVERE LOCAL STRESS AROUND PORT AND MAY RESULT IN LEAKS AND PREMATURE FAILURE. TAKE EVERY PRECAUTION LISTED IN THIS PACKET.
 INTERNAL PERMEATE PRESSURE MUST NOT EXCEED 125 PSI.
 ASME SECTION X, RP CODE STAMP OPTIONAL
 SPECIFICATIONS SUBJECT TO CHANGE WITHOUT NOTICE



PRO-8-1000-SP

ENGR BOA 6/06/16	ECO	REVISED 6/06/16	DRAWING 101005	REV A1
AL 6/06/16				
QTY BOA 6/06/16				

ITEM	QTY	P/N	DESCRIPTION	MATERIAL
1	1	4080022	Shell	Flament Wound, Epoxy FRP
2	2	4080034	Bearing Plate	6061-T6 Aluminum, Hard Anodized
3	2	4080177-3	Sealing Plate	Noryl
4	2	4080234	Feed/Concentrate Port 1.5", "D"	S.Steel S32750
5	4	6121187	Retaining Ring, F/C Port 1.5", "D"	S.Steel, 316L
6	2	6184604N	Seal, F/C Port	Ethylene Propylene
7	2	4080308	Permeate Port	Noryl
8	2	610442MK	Head Seal	Ethylene Propylene
9	2	6180229N	Permeate Port Seal	Ethylene Propylene
10	2	4080320	Retaining Ring w/ Finger-Pull	S.Steel, 316L
11	2	6121200	Retaining Ring, Permeate Port	S.Steel, 316L
12	2*	4080175	Support Saddle	Thermoplastic Rubber
13	2	4080800	Strap Assembly [M8]	S.Steel, 316L
14	4	6150072	Strap Screw [M8x70mm]	Stainless Steel, A4
15	2	5080074	Membrane Adapter	Noryl
16	1	4080165-1	Thrust Cone	PVC Thermoplastic
17	2	6180326N	Adapter Seal	Ethylene Propylene
18	4	6180119N	PVTF Seal	Ethylene Propylene
19	2	4080062-4	Shim, Adapter [2mm]	Noryl
20	2	4080704	Shim, Adapter [2mm]	Noryl

*3, each with shell length 4 and longer

Shell Length Code	P1		P2		P3		S	
	STANDARD	Optional	Optional	Optional	Span	Empty Weight		
-1	1565	1194	1143	1168.4	1@635	62		
-1.5	2073	1702	1651	1676.4	1@1067	68		
-2	2381	2210	2159	2184.4	1@1422	74		
-3	3397	3226	3175	3200.4	1@2032	88		
-4	4613	4242	4191	4216.4	2@1626	101		
-5	5629	5258	5207	5232.4	2@1981	114		
-6	6645	6274	6223	6248.4	2@2337	127		
-7	7663	7290	7239	7264.4	2@2692	140		
-7.5	8171	7798	7747	7772.4	2@2896	147		
-8	8679	8306	8255	8280.4	2@3048	153		