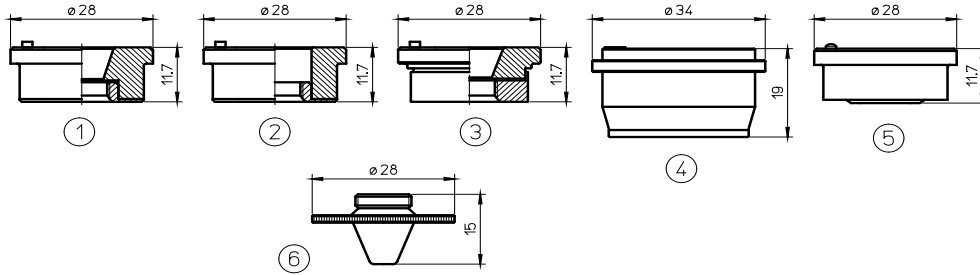


PRECITEC®

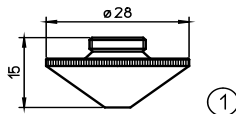
**ADIGE®.ADIRA®.BALLIU®.BAYKAL®.BLM®.CR ELECTRONIC®.DURMA®.ERMAKSAN®.ESAB®.FINN-POWER®.
GASPARINI®.GHT®.HAN'S LASER®.LASERMAK®.PRIMA POWER®.RAINER®.SALVAGNINI®.SHT®.UNITY PRIMA®**



POS	ESSE A. CODE	ALTERNATE REFERENCE	ORIGINAL CODE	DESCRIPTION	Unit Price	10 pack price	
1	AL355	PT348-1051	P0571-1051-00001	PRECITEC® ORIGINAL NOZZLE HOLDER KT B2" CON			
2	AL23	PT348-1330OEM	281330-P0571-260-00001	PRECITEC® ORIGINAL NOZZLE HOLDER KT B2"			
	AL131	PT348-1330	281330 - P0571-260-00001	PRECITEC® NOZZLE HOLDER KT B2"			
3	AL331	PT348-1330C	0	PRECITEC® NOZZLE HOLDER KT B2" CON			
4	AL228	PT348-1001		CR ELECTRONIC® NOZZLE HOLDER			
5	AL141	PT348-1518	281518-P0571-265-00001	PRECITEC® ORIG. NOZZLE HOLDER IT B2" Z ALUMINUM			
6	L247	PT350-1590	281590-P0591-569-00008	PRECITEC® NOZZLE Ø 0.8			
	L30247	PT350-1590X	281590-P0591-569-00008	PRECITEC® NOZZLE Ø 0.8			
	L162	PT350-1331	281331-P0591-561-00010	PRECITEC® NOZZLE Ø 1.0			
	L30162	PT350-1331X	281331-P0591-561-00010	PRECITEC® NOZZLE Ø 1.0			
	L130	PT350-1351	281351-P0591-562-00012	PRECITEC® NOZZLE Ø 1.2			
	L30130	PT350-1351X	281351-P0591-562-00012	PRECITEC® NOZZLE Ø 1.2			
	L131	PT350-1352	281352-P0591-563-00015	PRECITEC® NOZZLE Ø 1.5			
	L30131	PT350-1352X	281352-P0591-563-00015	PRECITEC® NOZZLE Ø 1.5			
	L248	PT350-0017	0	PRECITEC® NOZZLE Ø 1.7			
	L30248	PT350-0017X	0	PRECITEC® NOZZLE Ø 1.7			
	L153	PT350-1353	281353-P0591-564-00018	PRECITEC® NOZZLE Ø 1.8			
	L30153	PT350-1353X	281353-P0591-564-00018	PRECITEC® NOZZLE Ø 1.8			
	L132	PT350-1354	281354-P591-565-00020	PRECITEC® NOZZLE Ø 2.0			
	L30132	PT350-1354X	281354-P591-565-00020	PRECITEC® NOZZLE Ø 2.0			
	L154	PT350-0023	0	PRECITEC® NOZZLE Ø 2.3			
	L30154	PT350-0023X	0	PRECITEC® NOZZLE Ø 2.3			
	L155	PT350-1591	281591-P0591-566-00025	PRECITEC® NOZZLE Ø 2.5			
	L30155	PT350-1591X	281591-P0591-566-00025	PRECITEC® NOZZLE Ø 2.5			
	L249	PT350-0249	0	PRECITEC® NOZZLE Ø 2.7			
	L30249	0	0	PRECITEC® NOZZLE Ø 2.7			
	L156	PT350-0030	0	PRECITEC® NOZZLE Ø 3.0			
	L30156	0	0	PRECITEC® NOZZLE Ø 3.0			
		L247X	PT350-1590CP	281590-P0591-569-00008	PRECITEC® NOZZLE Ø 0.8 CP		
		L30247X	PT350-1590CPX	281590-P0591-569-00008	PRECITEC® NOZZLE Ø 0.8 CP		
		L162X	PT350-1331CP	281331-P0591-561-00010	PRECITEC® NOZZLE Ø 1.0 CP		
		L30162X	PT350-1331CPX	281331-P0591-561-00010	PRECITEC® NOZZLE Ø 1.0 CP		
		L130X	PT350-1351CP	281351-P0591-562-00012	PRECITEC® NOZZLE Ø 1.2 CP		
		L30130X	PT350-1351CPX	281351-P0591-562-00012	PRECITEC® NOZZLE Ø 1.2 CP		
		L131X	PT350-1352CP	281352-P0591-563-00015	PRECITEC® NOZZLE Ø 1.5 CP		
		L30131X	PT350-1352CPX	281352-P0591-563-00015	PRECITEC® NOZZLE Ø 1.5 CP		
		L248X	PT350-0001CP	0	PRECITEC® NOZZLE Ø 1.7 CP		
		L30248X	PT350-0001CPX	0	PRECITEC® NOZZLE Ø 1.7 CP		
		L153X	PT350-1353CP	281353-P0591-564-00018	PRECITEC® NOZZLE Ø 1.8 CP		
		L30153X	PT350-1353CPX	281353-P0591-564-00018	PRECITEC® NOZZLE Ø 1.8 CP		
		L132X	PT350-1354CP	281354-P591-565-00020	PRECITEC® NOZZLE Ø 2.0 CP		
		L30132X	PT350-1354CPX	281354-P591-565-00020	PRECITEC® NOZZLE Ø 2.0 CP		
	L154X	PT350-0002CP	0	PRECITEC® NOZZLE Ø 2.3 CP			
	L30154X	PT350-0002CPX	0	PRECITEC® NOZZLE Ø 2.3 CP			
	L155X	PT350-1591CP	281591-P0591-566-00025	PRECITEC® NOZZLE Ø 2.5 CP			
	L30155X	PT350-1591CPX	281591-P0591-566-00025	PRECITEC® NOZZLE Ø 2.5 CP			
	L249X	0	0	PRECITEC® NOZZLE Ø 2.7 CP			
	L30249X	0	0	PRECITEC® NOZZLE Ø 2.7 CP			
	L156X	PT350-0003CP		PRECITEC® NOZZLE Ø 3.0 CP			
	L30156X	PT350-0003CPX	0	PRECITEC® NOZZLE Ø 3.0 CP			

PRECITEC®

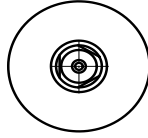
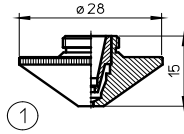
**ADIGE®.ADIRA®.BALLIU®.BAYKAL®.BLM®.CR ELECTRONIC®.DURMA®.ERMAKSAN®.ESAB®.FINN-POWER®.
GASPARINI®.GHT®.HAN'S LASER®.LASERMAK®.PRIMA POWER®.RAINER®.SALVAGNINI®.SHT®.UNITY PRIMA®**



POS	ESSE A. CODE	ALTERNATE REFERENCE	ORIGINAL CODE	DESCRIPTION	Unit Price	10 pack price
	L935	PT345-0008	0	PRECITEC® NOZZLE Ø 0.8 HD		
	L30935	PT345-0008X	0	PRECITEC® NOZZLE Ø 0.8 HD		
	L234	PT345-1548	281548-P0591-571-00010	PRECITEC® NOZZLE Ø 1.0 HD		
	L30234	PT345-1548X	281548-P0591-571-00010	PRECITEC® NOZZLE Ø 1.0 HD		
	L235	PT345-1549	281549-P0591-572-00012	PRECITEC® NOZZLE Ø 1.2 HD		
	L30235	PT345-1549X	281549-P0591-572-00012	PRECITEC® NOZZLE Ø 1.2 HD		
	L236	PT345-1463	281463-P0591-573-00015	PRECITEC® NOZZLE Ø 1.5 HD		
	L30236	PT345-1463X	281463-P0591-573-00015	PRECITEC® NOZZLE Ø 1.5 HD		
	L237	PT345-0001	P0591-574-00018	PRECITEC® NOZZLE Ø 1.8 HD		
	L30237	PT345-0001X	P0591-574-00018	PRECITEC® NOZZLE Ø 1.8 HD		
	L238	PT345-1550	281550-P0591-575-00020	PRECITEC® NOZZLE Ø 2.0 HD		
	L30238	PT345-1550X	281550-P0591-575-00020	PRECITEC® NOZZLE Ø 2.0 HD		
	L239	PT345-0003	0	PRECITEC® NOZZLE Ø 2.3 HD		
	L30239	PT345-0003X	0	PRECITEC® NOZZLE Ø 2.3 HD		
	L240	PT345-1551	281551-P0591-576-00025	PRECITEC® NOZZLE Ø 2.5 HD		
	L30240	PT345-1551X	281551-P0591-576-00025	PRECITEC® NOZZLE Ø 2.5 HD		
	L936	PT345-1552	0	PRECITEC® NOZZLE Ø 2.75 HD		
	L30936	PT345-1552X	0	PRECITEC® NOZZLE Ø 2.75 HD		
	L241	PT345-0002	0	PRECITEC® NOZZLE Ø 3.0 HD		
	L30241	PT345-0002X	0	PRECITEC® NOZZLE Ø 3.0 HD		
	L826	PT345-0005	0	PRECITEC® NOZZLE Ø 3.2 HD		
	L30826	PT345-0005X	0	PRECITEC® NOZZLE Ø 3.2 HD		
	L827	PT345-0006	0	PRECITEC® NOZZLE Ø 3.5 HD		
	L30827	PT345-0006X	0	PRECITEC® NOZZLE Ø 3.5 HD		
	L828	PT345-0004	0	PRECITEC® NOZZLE Ø 4.0 HD		
	L30828	PT345-0004X	0	PRECITEC® NOZZLE Ø 4.0 HD		
	L829	PT345-0007	0	PRECITEC® NOZZLE Ø 4.5 HD		
	L30829	PT345-0007X	0	PRECITEC® NOZZLE Ø 4.5 HD		
	L830	0	0	PRECITEC® NOZZLE Ø 5.0 HD		
	L30830	PT345-0830X	0	PRECITEC® NOZZLE Ø 5.0 HD		
1						
	L935X	PT345-1547CP	0	PRECITEC® NOZZLE Ø 0.8 HD CP		
	L30935X	PT345-1547CPX	0	PRECITEC® NOZZLE Ø 0.8 HD CP		
	L234X	PT345-1548CP	281548-P0591-571-00010	PRECITEC® NOZZLE Ø 1.0 HD CP		
	L30234X	PT345-1548CPX	281548-P0591-571-00010	PRECITEC® NOZZLE Ø 1.0 HD CP		
	L235X	PT345-1549CP	281549-P0591-572-00012	PRECITEC® NOZZLE Ø 1.2 HD CP		
	L30235X	PT345-1549CPX	281549-P0591-572-00012	PRECITEC® NOZZLE Ø 1.2 HD CP		
	L236X	PT345-1463CP	281463-P0591-573-00015	PRECITEC® NOZZLE Ø 1.5 HD CP		
	L30236X	PT345-1463CPX	281463-P0591-573-00015	PRECITEC® NOZZLE Ø 1.5 HD CP		
	L237X	PT345-0001CP	P0591-574-00018	PRECITEC® NOZZLE Ø 1.8 HD CP		
	L30237X	PT345-0001CPX	P0591-574-00018	PRECITEC® NOZZLE Ø 1.8 HD CP		
	L238X	PT345-1550CP	281550-P0591-575-00020	PRECITEC® NOZZLE Ø 2.0 HD CP		
	L30238X	PT345-1550CPX	281550-P0591-575-00020	PRECITEC® NOZZLE Ø 2.0 HD CP		
	L239X	PT345-0003CP	0	PRECITEC® NOZZLE Ø 2.3 HD CP		
	L30239X	PT345-0003CPX	0	PRECITEC® NOZZLE Ø 2.3 HD CP		
	L240X	PT345-1551CP	281551-P0591-576-00025	PRECITEC® NOZZLE Ø 2.5 HD CP		
	L30240X	PT345-1551CPX	281551-P0591-576-00025	PRECITEC® NOZZLE Ø 2.5 HD CP		
	L936X	PT345-1552CP	0	PRECITEC® NOZZLE Ø 2.75 HD CP		
	L30936X	PT345-1552CPX	0	PRECITEC® NOZZLE Ø 2.75 HD CP		
	L241X	PT345-0002CP	0	PRECITEC® NOZZLE Ø 3.0 HD CP		
	L30241X	PT345-0002CPX	0	PRECITEC® NOZZLE Ø 3.0 HD CP		
	L826X	PT345-0005CP	0	PRECITEC® NOZZLE Ø 3.2 HD CP		
	L30826X	PT345-0005CPX	0	PRECITEC® NOZZLE Ø 3.2 HD CP		
	L827X	PT345-0006CP	0	PRECITEC® NOZZLE Ø 3.5 HD CP		
	L30827X	PT345-0006CPX	0	PRECITEC® NOZZLE Ø 3.5 HD CP		
	L828X	PT345-0004CP	0	PRECITEC® NOZZLE Ø 4.0 HD CP		
	L30828X	PT345-0004CPX	0	PRECITEC® NOZZLE Ø 4.0 HD CP		
	L829X	PT345-0007CP		PRECITEC® NOZZLE Ø 4.5 HD CP		
	L30829X	PT345-0007CPX	0	PRECITEC® NOZZLE Ø 4.5 HD CP		
	L830X	0	0	PRECITEC® NOZZLE Ø 5.0 HD CP		
	L30830X	PT345-0830CPX	0	PRECITEC® NOZZLE Ø 5.0 HD CP		

PRECITEC®

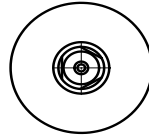
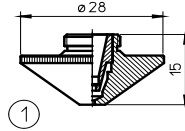
**ADIGE®.ADIRA®.BALLIU®.BAYKAL®.BLM®.CR ELECTRONIC®.DURMA®.ERMAKSAN®.ESAB®.FINN-POWER®.
GASPARINI®.GHT®.HAN'S LASER®.LASERMAK®.PRIMA POWER®.RAINER®.SALVAGNINI®.SHT®.UNITY PRIMA®**



POS	ESSE A. CODE	ALTERNATE REFERENCE	ORIGINAL CODE	DESCRIPTION	Unit Price	10 pack price
	L669	PT358-0669	0	PRECITEC® DOUBLE NOZZLE Ø 0.8		
	L30669	PT358-0669X	0	PRECITEC® DOUBLE NOZZLE Ø 0.8		
	L691	PT358-0691	0	PRECITEC® DOUBLE NOZZLE Ø 0.9		
	L30691	PT358-0691X	0	PRECITEC® DOUBLE NOZZLE Ø 0.9		
	L660	PT358-0010	0	PRECITEC® DOUBLE NOZZLE Ø 1.0		
	L30660	PT358-0010X	0	PRECITEC® DOUBLE NOZZLE Ø 1.0		
	L692	PT358-0692	0	PRECITEC® DOUBLE NOZZLE Ø 1.1		
	L30692	PT358-0692X	0	PRECITEC® DOUBLE NOZZLE Ø 1.1		
	L661-12	PT358-0112	0	PRECITEC® DOUBLE NOZZLE Ø 1.2		
	L30661-12	PT358-0112X	0	PRECITEC® DOUBLE NOZZLE Ø 1.2		
	L661	PT358-0125	0	PRECITEC® DOUBLE NOZZLE Ø 1.2		
	L30661	PT358-0125X	0	PRECITEC® DOUBLE NOZZLE Ø 1.2		
	L662	PT358-0015	0	PRECITEC® DOUBLE NOZZLE Ø 1.5		
	L30662	PT358-0015X	0	PRECITEC® DOUBLE NOZZLE Ø 1.5		
	L663	PT358-0018	0	PRECITEC® DOUBLE NOZZLE Ø 1.8		
	L30663	PT358-0018X	0	PRECITEC® DOUBLE NOZZLE Ø 1.8		
	L664	PT358-0020	0	PRECITEC® DOUBLE NOZZLE Ø 2.0		
	L30664	PT358-0020X	0	PRECITEC® DOUBLE NOZZLE Ø 2.0		
	L664-18	PT358-0418	0	PRECITEC® DOUBLE NOZZLE Ø 2.0		
	L30664-18	PT358-0418X	0	PRECITEC® DOUBLE NOZZLE Ø 2.0		
1	L664-20	0	0	PRECITEC® DOUBLE NOZZLE Ø 2.0		
	L30664-20	0	0	PRECITEC® DOUBLE NOZZLE Ø 2.0		
	L665	PT358-0023	0	PRECITEC® DOUBLE NOZZLE Ø 2.3		
	L30665	PT358-0023X	0	PRECITEC® DOUBLE NOZZLE Ø 2.3		
	L666	PT358-0007	0	PRECITEC® DOUBLE NOZZLE Ø 2.5		
	L30666	PT358-0007X	0	PRECITEC® DOUBLE NOZZLE Ø 2.5		
	L666-20	0	0	PRECITEC® DOUBLE NOZZLE Ø 2.5		
	L30666-20	0	0	PRECITEC® DOUBLE NOZZLE Ø 2.5		
	L667	PT358-0030	0	PRECITEC® DOUBLE NOZZLE Ø 3.0		
	L30667	PT358-0030X	0	PRECITEC® DOUBLE NOZZLE Ø 3.0		
	L667-20	0	0	PRECITEC® DOUBLE NOZZLE Ø 3.0		
	L30667-20	0	0	PRECITEC® DOUBLE NOZZLE Ø 3.0		
	L668	PT358-0035	0	PRECITEC® DOUBLE NOZZLE Ø 3.5		
	L30668	PT358-0035X	0	PRECITEC® DOUBLE NOZZLE Ø 3.5		
	L840	0	0	PRECITEC® DOUBLE NOZZLE Ø 4.0		
	L30840	0	0	PRECITEC® DOUBLE NOZZLE Ø 4.0		
	L841	PT358-0045	0	PRECITEC® DOUBLE NOZZLE Ø 4.5		
	L30841	PT358-0045X	0	PRECITEC® DOUBLE NOZZLE Ø 4.5		
	L861	PT358-0050	0	PRECITEC® DOUBLE NOZZLE Ø 5.0		
	L30861	PT358-0050X	0	PRECITEC® DOUBLE NOZZLE Ø 5.0		

PRECITEC®

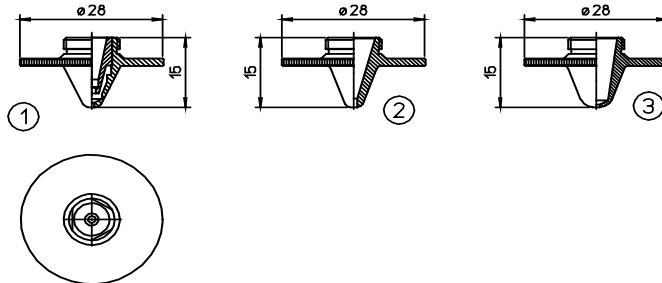
**ADIGE®.ADIRA®.BALLIU®.BAYKAL®.BLM®.CR ELECTRONIC®.DURMA®.ERMAKSAN®.ESAB®.FINN-POWER®.
GASPARINI®.GHT®.HAN'S LASER®.LASERMAK®.PRIMA POWER®.RAINER®.SALVAGNINI®.SHT®.UNITY PRIMA®**



POS	ESSE A. CODE	ALTERNATE REFERENCE	ORIGINAL CODE	DESCRIPTION	Unit Price	10 pack price
1	L669X	PT358-0008CP	0	PRECITEC® DOUBLE NOZZLE Ø 0.8 CP		
	L30669X	PT358-0008CPX	0	PRECITEC® DOUBLE NOZZLE Ø 0.8 CP		
	L691X	PT358-0691CP	0	PRECITEC® DOUBLE NOZZLE Ø 0.9 CP		
	L30691X	PT358-0691CPX	0	PRECITEC® DOUBLE NOZZLE Ø 0.9 CP		
	L660X	PT358-0010CP	0	PRECITEC® DOUBLE NOZZLE Ø 1.0 CP		
	L30660X	PT358-0010CPX	0	PRECITEC® DOUBLE NOZZLE Ø 1.0 CP		
	L692X	PT358-0692CP	0	PRECITEC® DOUBLE NOZZLE Ø 1.1 CP		
	L30692X	PT358-0692CPX	0	PRECITEC® DOUBLE NOZZLE Ø 1.1 CP		
	L661X	PT358-0125CP	0	PRECITEC® DOUBLE NOZZLE Ø 1.2 CP		
	L30661X	PT358-0125CPX	0	PRECITEC® DOUBLE NOZZLE Ø 1.2 CP		
	L662X	PT358-0015CP	0	PRECITEC® DOUBLE NOZZLE Ø 1.5 CP		
	L30662X	PT358-0015CPX	0	PRECITEC® DOUBLE NOZZLE Ø 1.5 CP		
	L663X	PT358-0018CP	0	PRECITEC® DOUBLE NOZZLE Ø 1.8 CP		
	L30663X	PT358-0018CPX	0	PRECITEC® DOUBLE NOZZLE Ø 1.8 CP		
	L664X	PT358-0020CP	0	PRECITEC® DOUBLE NOZZLE Ø 2.0 CP		
	L30664X	PT358-0020CPX	0	PRECITEC® DOUBLE NOZZLE Ø 2.0 CP		
	L665X	PT358-0023CP	0	PRECITEC® DOUBLE NOZZLE Ø 2.3 CP		
	L30665X	PT358-0023CPX	0	PRECITEC® DOUBLE NOZZLE Ø 2.3 CP		
	L666X	PT358-0025CP	0	PRECITEC® DOUBLE NOZZLE Ø 2.5 CP		
	L30666X	PT358-0025CPX	0	PRECITEC® DOUBLE NOZZLE Ø 2.5 CP		
	L667X	PT358-0030CP	0	PRECITEC® DOUBLE NOZZLE Ø 3.0 CP		
	L30667X	PT358-0030CPX	0	PRECITEC® DOUBLE NOZZLE Ø 3.0 CP		
	L668X	PT358-0035CP	0	PRECITEC® DOUBLE NOZZLE Ø 3.5 CP		
	L30668X	PT358-0035CPX	0	PRECITEC® DOUBLE NOZZLE Ø 3.5 CP		
	L840X	PT358-0040CP	0	PRECITEC® DOUBLE NOZZLE Ø 4.0 CP		
	L30840X	0	0	PRECITEC® DOUBLE NOZZLE Ø 4.0 CP		
	L841X	PT358-0045CP	0	PRECITEC® DOUBLE NOZZLE Ø 4.5 CP		
	L30841X	0	0	PRECITEC® DOUBLE NOZZLE Ø 4.5 CP		
	L861X	0	0	PRECITEC® DOUBLE NOZZLE Ø 5.0 CP		
	L30861X	0	0	PRECITEC® DOUBLE NOZZLE Ø 5.0 CP		

PRECITEC®

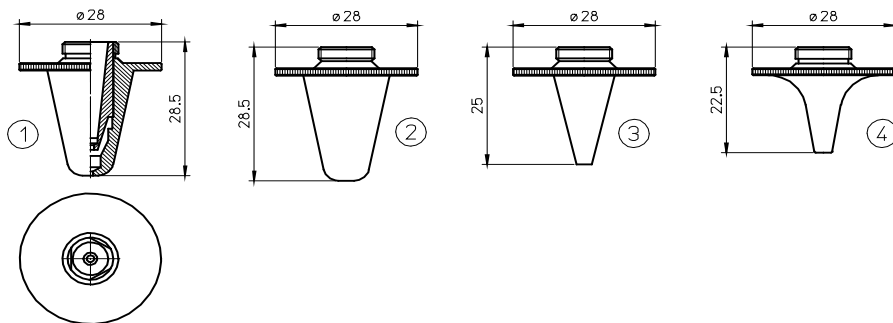
**ADIGE®.ADIRA®.BALLIU®.BAYKAL®.BLM®.CR ELECTRONIC®.DURMA®.ERMAKSAN®.ESAB®.FINN-POWER®.
GASPARINI®.GHT®.HAN'S LASER®.LASERMAK®.PRIMA POWER®.RAINER®.SALVAGNINI®.SHT®.UNITY PRIMA®**



POS	ESSE A. CODE	ALTERNATE REFERENCE	ORIGINAL CODE	DESCRIPTION	Unit Price	10 pack price
1	L1348	PT358-0001	6930250001	PRECITEC® 3D DOUBLE NOZZLE Ø 0.8		
	L1349	PT358-0002	6930250002	PRECITEC® 3D DOUBLE NOZZLE Ø 1.0		
	L1350	PT358-0003	6930250003	PRECITEC® 3D DOUBLE NOZZLE Ø 1.2		
	L1351	PT358-0004	6930250004	PRECITEC® 3D DOUBLE NOZZLE Ø1.5		
	L1470	PT358-0005	0	PRECITEC® 3D DOUBLE NOZZLE Ø 1.8		
	L1348X	PT358-0001CP		PRECITEC® 3D DOUBLE NOZZLE Ø 0.8 CP		
	L1349X	PT358-0002CP		PRECITEC® 3D DOUBLE NOZZLE Ø 1.0 CP		
	L1350X	PT358-0003CP		PRECITEC® 3D DOUBLE NOZZLE Ø 1.2 CP		
	L1351X	PT358-0004CP		PRECITEC® 3D DOUBLE NOZZLE Ø1.5 CP		
	L1470X	0	0	PRECITEC® 3D DOUBLE NOZZLE Ø1.8 CP		
2	L738	PT406-0001	0	PRECITEC® NOZZLE Ø 1.0 HD		
	L739	PT406-0002	0	PRECITEC® NOZZLE Ø 1.2 HD		
	L740	PT406-0003	0	PRECITEC® NOZZLE Ø 1.5 HD		
3	L792	PT406-0008	0	PRECITEC® NOZZLE Ø 0.8		
	L793	PT406-0010	0	PRECITEC® NOZZLE Ø 1.0		
	L794	PT406-0125	0	PRECITEC® NOZZLE Ø 1.2		
	L742	PT406-0015	0	PRECITEC® NOZZLE Ø 1.5		
	L743	PT406-0018	0	PRECITEC® NOZZLE Ø 1.8		
	L744	PT406-0020	0	PRECITEC® NOZZLE Ø 2.0		

PRECITEC®

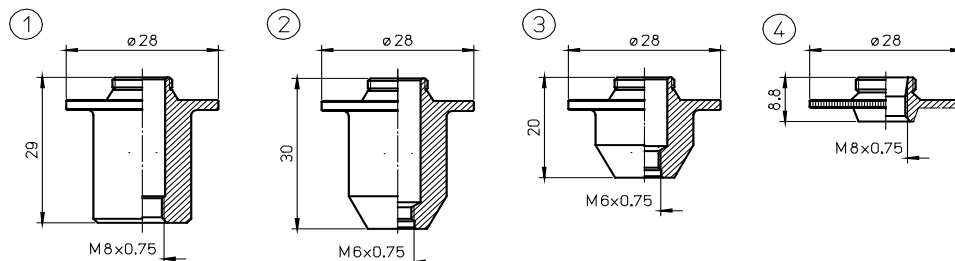
**ADIGE®.ADIRA®.BALLIU®.BAYKAL®.BLM®.CR ELECTRONIC®.DURMA®.ERMAKSAN®.ESAB®.FINN-POWER®.
GASPARINI®.GHT®.HAN'S LASER®.LASERMAK®.PRIMA POWER®.RAINER®.SALVAGNINI®.SHT®.UNITY PRIMA®.**



POS	ESSE A. CODE	ALTERNATE REFERENCE	ORIGINAL CODE	DESCRIPTION	Unit Price	10 pack price
1	L680	PT420-0010	0	PRECITEC® DOUBLE NOZZLE Ø 1.0 LONG		
	L681	PT420-0125	0	PRECITEC® DOUBLE NOZZLE Ø 1.2 LONG		
	L682	PT420-0015	0	PRECITEC® DOUBLE NOZZLE Ø 1.5 LONG		
	L683	PT420-0018	0	PRECITEC® DOUBLE NOZZLE Ø 1.8 LONG		
	L684	PT420-0020	0	PRECITEC® DOUBLE NOZZLE Ø 2.0 LONG		
	L685	PT420-0023	0	PRECITEC® DOUBLE NOZZLE Ø 2.3 LONG		
	L686	PT420-0025	0	PRECITEC® DOUBLE NOZZLE Ø 2.5 LONG		
	L687	PT420-0030	0	PRECITEC® DOUBLE NOZZLE Ø 3.0 LONG		
	L688	PT420-0035	0	PRECITEC® DOUBLE NOZZLE Ø 3.5 LONG		
2	L308	PT390-0010	P0573-563-00010	PRECITEC® NOZZLE Ø 1.0 LONGED		
	L307	PT390-0012	P0573-563-00012	PRECITEC® NOZZLE Ø 1.2 LONGED		
	L382	PT390-0015	P0573-563-00015	PRECITEC® NOZZLE Ø 1.5 LONGED		
	L383	PT390-0018		PRECITEC® NOZZLE Ø 1.8 LONGED		
	L437	PT390-0020	P0573-564-00020	PRECITEC® NOZZLE Ø 2.0 LONGED		
	L438	PT390-0023	P0573-565-00023	PRECITEC® NOZZLE Ø 2.3 LONGED		
	L439	PT390-0025	P0573-566-00025	PRECITEC® NOZZLE Ø 2.5 LONGED		
3	L1341	PT390-0001		PRECITEC® NOZZLE Ø 1.0 LONG		
	L1343	PT390-0002		PRECITEC® NOZZLE Ø 1.5 LONG		
	L1344	PT390-0003		PRECITEC® NOZZLE Ø 1.8 LONG		
	L1345	PT390-0004		PRECITEC® NOZZLE Ø 2.0 LONG		
4	L1374	PT390-0040	P0578-0411-00010	PRECITEC® NOZZLE RADIUS Ø 1.0 LONG		
	L1375	PT390-0005	P0578-0412-00012	PRECITEC® NOZZLE RADIUS Ø 1.2 LONG		
	L1376	PT390-0006	P0578-0413-00015	PRECITEC® NOZZLE RADIUS Ø 1.5 LONG		
	L1373	PT390-0009	P0578-0414-00018	PRECITEC® NOZZLE RADIUS Ø 1.8 LONG		
	L1377	PT390-0007	P0578-0415-00020	PRECITEC® NOZZLE RADIUS Ø 2.0 LONG		
	L1378	PT390-0008	P0578-0417-00025	PRECITEC® NOZZLE RADIUS Ø 2.5 LONG		
	L1374X	PT390-0040CP		PRECITEC® NOZZLE RADIUS Ø 1.0 LONG CP		
	L1375X	PT390-0005CP		PRECITEC® NOZZLE RADIUS Ø 1.2 LONG CP		
	L1376X	PT390-0006CP		PRECITEC® NOZZLE RADIUS Ø 1.5 LONG CP		
	L1373X	PT390-0009CP		PRECITEC® NOZZLE RADIUS Ø 1.8 LONG CP		
	L1377X	PT390-0007CP		PRECITEC® NOZZLE RADIUS Ø 2.0 LONG CP		
L1378X	PT390-0008CP		PRECITEC® NOZZLE RADIUS Ø 2.5 LONG CP			

PRECITEC®

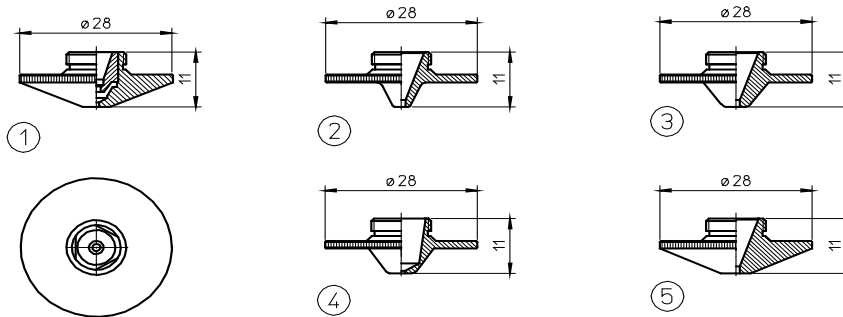
**ADIGE®.ADIRA®.BALLIU®.BAYKAL®.BLM®.CR ELECTRONIC®DURMA®ERMAKSAN®.ESAB®.FINN-POWER®.
 GASPARINI®.GHT®.HAN'S LASER®.LASERMAK®.PRIMA POWER®.RAINER®.SALVAGNINI®.SHT®.UNITY PRIMA®**



POS	ESSE A. CODE	ALTERNATE REFERENCE	ORIGINAL CODE	DESCRIPTION	Unit Price	10 pack price
1	AL333	PT406-0333		PRECITEC® ADAPTER L=29 FOR TRUMPF® NOZZLE M8		
2	AL334	PT406-0334		PRECITEC® ADAPTER L=30 FOR TRUMPF® NOZZLE M6		
3	AL335	PT406-0335		PRECITEC® ADAPTER L=20 FOR TRUMPF® NOZZLE M6		
4	AL43	PT406-0043	0	PRECITEC® ADAPTER FOR TRUMPF® NOZZLE		

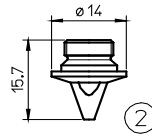
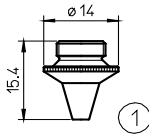
PRECITEC®

**ADIGE®.ADIRA®.BALLIU®.BAYKAL®.BLM®.CR ELECTRONIC®.DURMA®.ERMAKSAN®.ESAB®.FINN-POWER®.
GASPARINI®.GHT®.HAN'S LASER®.LASERMAK®.PRIMA POWER®.RAINER®.SALVAGNINI®.SHT®.UNITY PRIMA®**



POS	ESSE A. CODE	ALTERNATE REFERENCE	ORIGINAL CODE	DESCRIPTION	Unit Price	10 pack price
1	L1179	PT377-0001	0	PRECITEC® DOUBLE NOZZLE Ø 1.0		
	L1180	PT377-0002	0	PRECITEC® DOUBLE NOZZLE Ø 1.5		
	L1181	PT377-0003	0	PRECITEC® DOUBLE NOZZLE Ø 2.0		
	L1182	PT377-0004	0	PRECITEC® DOUBLE NOZZLE Ø 2.5		
	L1183	PT377-0005	0	PRECITEC® DOUBLE NOZZLE Ø 3.0		
	L1179X	PT377-0001CP	0	PRECITEC® DOUBLE NOZZLE Ø 1.0 CP		
	L1180X	PT377-0002CP	0	PRECITEC® DOUBLE NOZZLE Ø 1.5 CP		
	L1181X	PT377-0003CP	0	PRECITEC® DOUBLE NOZZLE Ø 2.0 CP		
	L1182X	PT377-0004CP	0	PRECITEC® DOUBLE NOZZLE Ø 2.5 CP		
	L1183X	PT377-0005CP	0	PRECITEC® DOUBLE NOZZLE Ø 3.0 CP		
2	L1218	PT348-0001		PRECITEC® NOZZLE Ø 1.5 HD		
	L1219	PT348-0002		PRECITEC® NOZZLE Ø 2.0 HD		
	L1220	PT348-0003		PRECITEC® NOZZLE Ø 2.5 HD		
	L1218X	PT348-0001CP		PRECITEC® NOZZLE Ø 1.5 HD CP		
	L1219X	PT348-0002CP		PRECITEC® NOZZLE Ø 2.0 HD CP		
	L1220X	PT348-0003CP		PRECITEC® NOZZLE Ø 2.5 HD CP		
3	L1062	PT348-0015		PRECITEC® NOZZLE Ø 1.5 HD		
	L1063	PT348-0020		PRECITEC® NOZZLE Ø 2.0 HD		
	L1064	PT348-0025		PRECITEC® NOZZLE Ø 2.5 HD		
	L1065	PT348-0030		PRECITEC® NOZZLE Ø 3.0 HD		
4	L410	PT348-1340	281340-P0571-281-00010	PRECITEC® NOZZLE Ø 1.0		
	L411	PT348-1341	281341-P0571-282-00012	PRECITEC® NOZZLE Ø 1.2		
	L412	PT348-1342	281342-P0571-283-00015	PRECITEC® NOZZLE Ø 1.5		
	L413	PT348-0018	281342-P0571-284-00018	PRECITEC® NOZZLE Ø 1.8		
	L414	PT348-1343	281343-P0571-285-00020	PRECITEC® NOZZLE Ø 2.0		
	L415	PT348-1344	281344-P0571-286-00025	PRECITEC® NOZZLE Ø 2.5		
5	L465	PT377-0010	281599-P0571-291-00010	PRECITEC® NOZZLE Ø 1.0		
	L466	PT377-0012	P0571-292-00012	PRECITEC® NOZZLE Ø 1.2		
	L467	PT377-0015	281570-P0571-293-00015	PRECITEC® NOZZLE Ø 1.5		
	L468	PT377-0018		PRECITEC® NOZZLE Ø 1.8		
	L469	PT377-0020	281571-P0571-295-00020	PRECITEC® NOZZLE Ø 2.0		
	L470	PT377-0025	281572-P0571-297-00025	PRECITEC® NOZZLE Ø 2.5		
	L463	PT377-0030		PRECITEC® NOZZLE Ø 3.0		

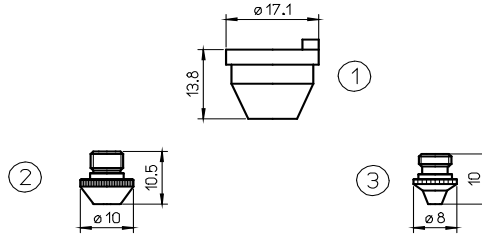
PRECITEC®



TRUMPF®

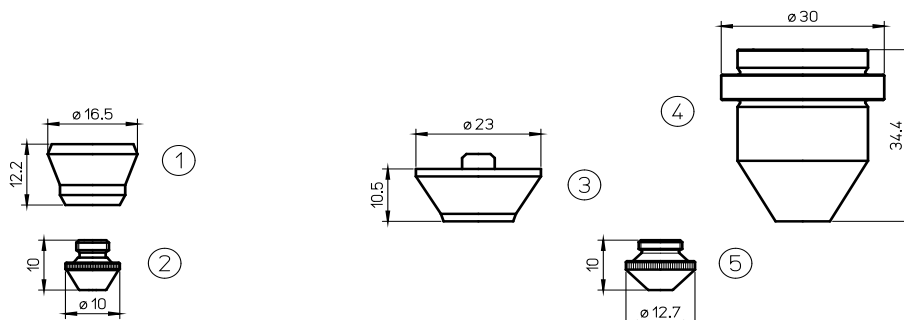
POS	ESSE A. CODE	ALTERNATE REFERENCE	ORIGINAL CODE	DESCRIPTION	Unit Price	10 pack price
AKK52 - AKH27 - YH27 - YR30 SENSOR SYSTEM						
1	L405	PT344-1813	281813-P0589-424-00008	PRECITEC® NOZZLE Ø 0.8		
	L30405	PT344-1813X	281813-P0589-424-00008	PRECITEC® NOZZLE Ø 0.8		
	L406	PT344-1789	281789-P0589-426-00010	PRECITEC® NOZZLE Ø 1.0		
	L30406	PT344-1789X	281789-P0589-426-00010	PRECITEC® NOZZLE Ø 1.0		
	L404	PT344-1561	281561 - 778550	PRECITEC® NOZZLE Ø 1.2		
	L30404	PT344-1561X	281561 - 778550	PRECITEC® NOZZLE Ø 1.2		
	L407	PT344-1499	281814 - 149957	PRECITEC® NOZZLE Ø 1.5		
	L30407	PT344-1499X	281814 - 149957	PRECITEC® NOZZLE Ø 1.5		
	L408	PT344-0020	P0589-428-00020	PRECITEC® NOZZLE Ø 2.0		
	L30408	PT344-0020X	P0589-428-00020	PRECITEC® NOZZLE Ø 2.0		
	L405X	PT344-1813CP	281813-P0589-424-00008	PRECITEC® NOZZLE Ø 0.8 CP		
	L30405X	PT344-1813CPX	281813-P0589-424-00008	PRECITEC® NOZZLE Ø 0.8 CP		
	L406X	PT344-1789CP	281789-P0589-426-00010	PRECITEC® NOZZLE Ø 1.0 CP		
	L30406X	PT344-1789CPX	281789-P0589-426-00010	PRECITEC® NOZZLE Ø 1.0 CP		
	L404X	PT344-1561CP	281561 - 778550 - P0589-425-00012	PRECITEC® NOZZLE Ø 1.2 CP		
	L30404X	PT344-1561CPX	281561 - 778550	PRECITEC® NOZZLE Ø 1.2 CP		
	L407X	PT344-1499CP	281814 - 149957	PRECITEC® NOZZLE Ø 1.5 CP		
	L30407X	PT344-1499CPX	281814 - 149957	PRECITEC® NOZZLE Ø 1.5 CP		
	L408X	PT344-0020CP	P0589-428-00020	PRECITEC® NOZZLE Ø 2.0 CP		
	L30408X	PT344-0020CPX	P0589-428-00020	PRECITEC® NOZZLE Ø 2.0 CP		
YK52 SENSOR SYSTEM						
2	L800	PT391-0010	281498-P0587-722-00010	PRECITEC® NOZZLE Ø 1.0		
	L30800	PT391-0010X	281498-P0587-722-00010	PRECITEC® NOZZLE Ø 1.0		
	L801	PT391-0012	P0587-723-00012	PRECITEC® NOZZLE Ø 1.2		
	L30801	PT391-0012X	P0587-723-00012	PRECITEC® NOZZLE Ø 1.2		
	L802	PT391-0015	281497-P0587-721-00015	PRECITEC® NOZZLE Ø 1.5		
	L30802	PT391-0015X	281497-P0587-721-00015	PRECITEC® NOZZLE Ø 1.5		
	L803	PT391-0018	281516-P0587-737-00018	PRECITEC® NOZZLE Ø 1.8		
	L30803	PT391-0018X	281516-P0587-737-00018	PRECITEC® NOZZLE Ø 1.8		
	L804	PT391-0020	281567-P0587-771-00020	PRECITEC® NOZZLE Ø 2.0		
	L30804	PT391-0020X	281567-P0587-771-00020	PRECITEC® NOZZLE Ø 2.0		
	L805	PT391-0025	P0587-772-00025	PRECITEC® NOZZLE Ø 2.5		
	L30805	PT391-0025X	P0587-772-00025	PRECITEC® NOZZLE Ø 2.5		

PRECITEC®



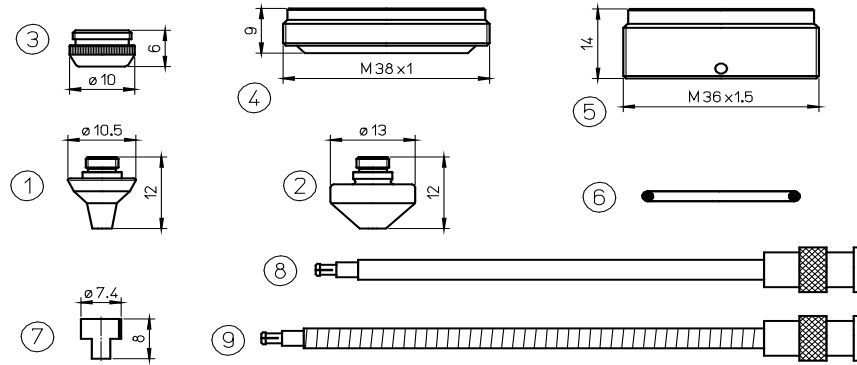
POS	ESSE A. CODE	ALTERNATE REFERENCE	ORIGINAL CODE	DESCRIPTION	Unit Price	10 pack price
5"KN SENSOR SYSTEM						
1	AL53	TR302-2405	280408-092405	TRUMPF® ORIG. NOZZLE HOLDER KT M1.5" KN		
2	L445	0	0	PRECITEC® NOZZLE Ø 0.8		
	L30445	0	0	PRECITEC® NOZZLE Ø 0.8		
	L292	PT344-0551	280551-P0494-853-00010	PRECITEC® NOZZLE Ø 1.0		
	L30292	PT344-0551X	280551-P0494-853-00010	PRECITEC® NOZZLE Ø 1.0		
	L293	PT344-0552	280552-P0494-854-00012	PRECITEC® NOZZLE Ø 1.2		
	L30293	PT344-0552X	280552-P0494-854-00012	PRECITEC® NOZZLE Ø 1.2		
	L294	PT344-0553	280553-P0494-855-00015	PRECITEC® NOZZLE Ø 1.5		
	L30294	PT344-0553X	280553-P0494-855-00015	PRECITEC® NOZZLE Ø 1.5		
	L295	PT344-0554	280554-P0494-856-00017	PRECITEC® NOZZLE Ø 1.7		
	L30295	PT344-0554X	280553-P0494-856-00017	PRECITEC® NOZZLE Ø 1.7		
	L296	PT344-0555	280555-P0494-855-00020	PRECITEC® NOZZLE Ø 2.0		
	L30296	PT344-0555X	280553-P0494-855-00015	PRECITEC® NOZZLE Ø 2.0		
	L372	PT344-9023		PRECITEC® NOZZLE Ø 2.3		
	L30372	PT344-9023X		PRECITEC® NOZZLE Ø 2.3		
	L371	PT344-9025		PRECITEC® NOZZLE Ø 2.5		
	L30371	PT344-9025X		PRECITEC® NOZZLE Ø 2.5		
	L304	PT344-0030		PRECITEC® NOZZLE Ø 3.0		
	L30304	PT344-0030X		PRECITEC® NOZZLE Ø 3.0		
	L303	PT344-0400		PRECITEC® NOZZLE Ø 4.0		
	L30303	PT344-0400X		PRECITEC® NOZZLE Ø 4.0		
DEM 1,5"						
3	L1055	PT379-0010	280943-P0494-787-00010	PRECITEC® NOZZLE Ø 1.0 KN TAK		
	L301055	PT379-0010X	280943-P0494-787-00010	PRECITEC® NOZZLE Ø 1.0 KN TAK		
	L1056	PT379-0012	280942-P0494-788-00012	PRECITEC® NOZZLE Ø 1.2 KN TAK		
	L301056	PT379-0012X	280942-P0494-788-00012	PRECITEC® NOZZLE Ø 1.2 KN TAK		
	L1057	PT379-0015	280941-P0494-789-00015	PRECITEC® NOZZLE Ø 1.5 KN TAK		
	L301057	PT379-0015X	280941-P0494-789-00015	PRECITEC® NOZZLE Ø 1.5 KN TAK		
	L1058	PT379-0018		PRECITEC® NOZZLE Ø 1.8 KN TAK		
	L301058	PT379-0018X		PRECITEC® NOZZLE Ø 1.8 KN TAK		
	L1059	PT379-0020		PRECITEC® NOZZLE Ø 2.0 KN TAK		
	L301059	PT379-0020X		PRECITEC® NOZZLE Ø 2.0 KN TAK		

PRECITEC® ADIGE®. FINN-POWER®



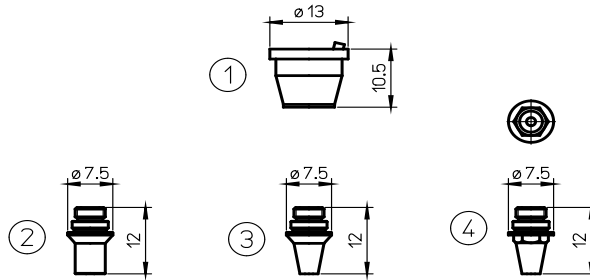
POS	ESSE A. CODE	ALTERNATE REFERENCE	ORIGINAL CODE	DESCRIPTION	Unit Price	10 pack price
5"K SENSOR SYSTEM						
1	AL67	PT344-0040	280040 - P0492-752-00001	PRECITEC® ORIG. NOZZLE HOLDER KT M1.5" K		
2	L350	PT344-0048	280048-P0492-853-00010	PRECITEC® NOZZLE Ø 1.0		
	L30350	PT344-0048X	280048-P0492-853-00010	PRECITEC® NOZZLE Ø 1.0		
	L351	PT344-0049	280049-P0492-854-00012	PRECITEC® NOZZLE Ø 1.2		
	L30351	PT344-0049X	280049-P0492-854-00012	PRECITEC® NOZZLE Ø 1.2		
	L352	PT344-0050	280050-P0492-855-00015	PRECITEC® NOZZLE Ø 1.5		
	L30352	PT344-0050X	280050-P0492-855-00015	PRECITEC® NOZZLE Ø 1.5		
	L353	PT344-0051	280050	PRECITEC® NOZZLE Ø 2.0		
	L30353	PT344-0051X	280050	PRECITEC® NOZZLE Ø 2.0		
2,5"CM SENSOR SYSTEM						
3	AL138	PT344-1079	281079-P0492-430-00003-W149	PRECITEC® ORIG. NOZZLE HOLDER KT M1.5" S F2.5		
4	AL352	PT347-0100		PRECITEC® NOZZLE HOLDER ALUMINIUM		
5	L400	PT344-0013	280013-P0492-441-00008	PRECITEC® FP NOZZLE Ø 0.8		
	L30400	PT344-0013X	280013-P0492-441-00008	PRECITEC® FP NOZZLE Ø 0.8		
	L401	PT344-0014	280014-P0492-442-00010-W223	PRECITEC® FP NOZZLE Ø 1.0		
	L30401	MB336-223X	280014-P0492-442-00010-W223	PRECITEC® FP NOZZLE Ø 1.0		
	L402	PT344-0015	280015-P0492-443-00012	PRECITEC® FP NOZZLE Ø 1.2		
	L30402	PT344-0015X	280015-P0492-443-00012	PRECITEC® FP NOZZLE Ø 1.2		
	L403	PT344-0016	280016-P0492-444-00015-W224	PRECITEC® FP NOZZLE Ø 1.5		
	L30403	MB336-224X	280016-P0492-444-00015-W224	PRECITEC® FP NOZZLE Ø 1.5		
	L543	PT344-0018	P0492-447-00018	PRECITEC® FP NOZZLE Ø 1.8		
	L30543	PT344-0018X	P0492-447-00018	PRECITEC® FP NOZZLE Ø 1.8		
	L544	MB336-225	280937-P0492-445-00020-W225	PRECITEC® FP NOZZLE Ø 2.0		
	L30544	MB336-225X	280937-P0492-445-00020-W225	PRECITEC® FP NOZZLE Ø 2.0		
	L546	PT344-0023	P0492-448-00023	PRECITEC® FP NOZZLE Ø 2.3		
	L30546	PT344-0023X	P0492-448-00023	PRECITEC® FP NOZZLE Ø 2.3		
	L545	MB336-226	281791-P0492-446-00025-W226	PRECITEC® FP NOZZLE Ø 2.5		
	L30545	MB336-226X	281791-P0492-446-00025-W226	PRECITEC® FP NOZZLE Ø 2.5		
	L547	MB336-0005		PRECITEC® FP NOZZLE Ø 3.0		
	L30547	MB336-0005X		PRECITEC® FP NOZZLE Ø 3.0		
	L400X	PT344-0008CP	280013-P0492-441-00008	PRECITEC® FP NOZZLE Ø 0.8 CP		
	L30400X	PT344-0008CPX	280013-P0492-441-00008	PRECITEC® FP NOZZLE Ø 0.8 CP		
	L401X	PT344-0010CP	280014-P0492-442-00010-W223	PRECITEC® FP NOZZLE Ø 1.0 CP		
	L30401X	PT344-0010CPX	280014-P0492-442-00010-W223	PRECITEC® FP NOZZLE Ø 1.0 CP		
	L402X	PT344-0012CP		PRECITEC® FP NOZZLE Ø 1.2 CP		
	L30402X	PT344-0012CPX		PRECITEC® FP NOZZLE Ø 1.2 CP		
	L403X	PT344-0015CP	280016-P0492-444-00015-W224	PRECITEC® FP NOZZLE Ø 1.5 CP		
	L30403X	PT344-0015CPX	280016-P0492-444-00015-W224	PRECITEC® FP NOZZLE Ø 1.5 CP		
	L543X	PT344-0018CP	P0492-447-00018	PRECITEC® FP NOZZLE Ø 1.8 CP		
	L30543X	PT344-0018CPX	P0492-447-00018	PRECITEC® FP NOZZLE Ø 1.8 CP		
	L544X	PT344-0022CP	280937-P0492-445-00020-W225	PRECITEC® FP NOZZLE Ø 2.0 CP		
	L30544X	PT344-0022CPX	280937-P0492-445-00020-W225	PRECITEC® FP NOZZLE Ø 2.0 CP		
	L546X	PT344-0023CP	P0492-448-00023	PRECITEC® FP NOZZLE Ø 2.3 CP		
	L30546X	PT344-0023CPX	P0492-448-00023	PRECITEC® FP NOZZLE Ø 2.3 CP		
	L545X	PT344-0025CP	281791-P0492-446-00025-W226	PRECITEC® FP NOZZLE Ø 2.5 CP		
	L30545X	PT344-0025CPX	281791-P0492-446-00025-W226	PRECITEC® FP NOZZLE Ø 2.5 CP		
	L547X	PT344-0027CP		PRECITEC® FP NOZZLE Ø 3.0 CP		
	L30547X	PT344-0027CPX		PRECITEC® FP NOZZLE Ø 3.0 CP		

Mazak® 3D - Precitec® 5°C/MG - 5°H/MG



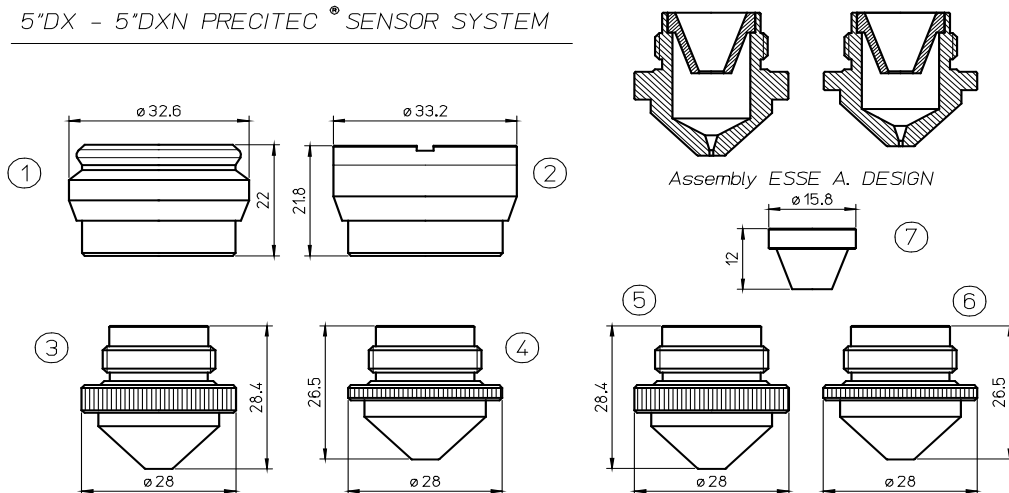
POS	ESSE A. CODE	ALTERNATE REFERENCE	ORIGINAL CODE	DESCRIPTION	Unit Price	10 pack price
1	L554	PT347-0005	46713300290-10	MAZAK® NOZZLE 3D Ø 1.0		
	L30554	PT347-0005X	46713300290-10	MAZAK® NOZZLE 3D Ø 1.0		
	L555	PT347-0290-1.2	46713300290-12	MAZAK® NOZZLE 3D Ø 1.2		
	L30555	PT347-0090X	46713300290-12	MAZAK® NOZZLE 3D Ø 1.2		
	L556	PT347-0290	46713300290-15-P0352-381-00015	MAZAK® NOZZLE 3D Ø 1.5		
	L30556	PT347-0290X	46713300290-15-P0352-381-00015	MAZAK® NOZZLE 3D Ø 1.5		
	L557	PT347-0118		MAZAK® NOZZLE 3D Ø 1.8		
	L30557	PT347-0118X		MAZAK® NOZZLE 3D Ø 1.8		
	L558	PT347-0280	46713300310-P0352-382-00020	MAZAK® NOZZLE 3D Ø 2.0		
	L30558	PT347-0280X	46713300310-P0352-382-00020	MAZAK® NOZZLE 3D Ø 2.0		
	L560	PT347-0001	46713300280-25	MAZAK® NOZZLE 3D Ø 2.5		
	L30560	PT347-0001X	46713300280-25	MAZAK® NOZZLE 3D Ø 2.5		
	L563	PT347-0002	46713300280-30-46713300430	MAZAK® NOZZLE 3D Ø 3.0		
	L30563	PT347-0002X	46713300280-30	MAZAK® NOZZLE 3D Ø 3.0		
	L564	PT347-0035	46713300280-35	MAZAK® NOZZLE 3D Ø 3.5		
L30564	PT347-0035X	46713300280-35	MAZAK® NOZZLE 3D Ø 3.5			
2	L576	PT347-0004		MAZAK® NOZZLE Ø 1.0 2D		
	L30576	PT347-0004X		MAZAK® NOZZLE Ø 1.0 2D		
	L577	PT347-0310-1.2	46713300310	MAZAK® NOZZLE Ø 1.2 2D		
	L30577	PT347-0012X	46713300310	MAZAK® NOZZLE Ø 1.2 2D		
	L578	PT347-0310	P0352-386-00015	MAZAK® NOZZLE Ø 1.5 2D		
	L30578	PT347-0310X	P0352-386-00015	MAZAK® NOZZLE Ø 1.5 2D		
	L579	PT347-1018		MAZAK® NOZZLE Ø 1.8 2D		
	L30579	PT347-1018X		MAZAK® NOZZLE Ø 1.8 2D		
	L580	PT347-0300	46713300300-P0352-387-00020	MAZAK® NOZZLE Ø 2.0 2D		
	L30580	PT347-0300X	46713300300-P0352-387-00020	MAZAK® NOZZLE Ø 2.0 2D		
	L581	PT347-0003	46713300300-25	MAZAK® NOZZLE Ø 2.5 2D		
	L30581	PT347-0003X	46713300300-25	MAZAK® NOZZLE Ø 2.5 2D		
L582	PT347-0006	46713300300-30	MAZAK® NOZZLE Ø 3.0 2D			
L30582	PT347-0006X	46713300300-30	MAZAK® NOZZLE Ø 3.0 2D			
3	AL160	PT347-0320	46713300321-P0352-311-00001	MAZAK® VESPEL NUT - SPACE GEAR		
4	AL198	PT347-4297	P0492-702-00001-29100021	PRECITEC® INSULATING RING - plastic		
5	AL218	PT347-0008	46713330200	MAZAK® 5-AXIS INSULATOR		
6	AL94	AM326-6453	71366453	AMADA® O'RING FOR NOZZLE OUTER		
7	AL256	PT347-0009	46713300390	PRECITEC® INSULATOR COLLAR		
8	AL204	PT347-0101	P0360-100-00500 - 46713300100	PRECITEC® ORIG. SENSOR CABLE KE 500 Z		
9	AL257	PT347-1386	281386 P0360-155-00500	MAZAK® ELECTRODE CABLE		

PRECITEC® ADIGE®. MAZAK®



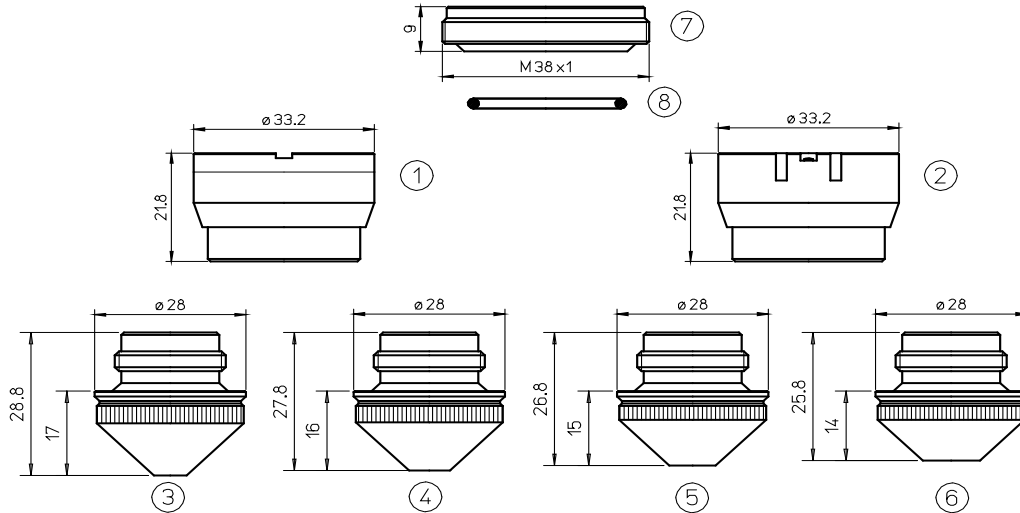
POS	ESSE A. CODE	ALTERNATE REFERENCE	ORIGINAL CODE	DESCRIPTION	Unit Price	10 pack price
1	P49113000001	0	P0491-130-00001	PRECITEC® ORIG. NOZ. HOLDER KT M1.5" K S - CERAMIC		
2	L480	PT347-1005	281005-P0352-323-00010	MAZAK® NOZZLE Ø 1.0 ZK		
	L30480	PT347-1005X	281005-P0352-323-00010	MAZAK® NOZZLE Ø 1.0 ZK		
	L481	PT347-1034	281034-P0352-324-00012	MAZAK® NOZZLE Ø 1.2 ZK		
	L30481	PT347-1034X	281034-P0352-324-00012	MAZAK® NOZZLE Ø 1.2 ZK		
	L482	PT347-1013	281013-P0352-325-00015	MAZAK® NOZZLE Ø 1.5 ZK		
	L30482	PT347-1013X	281013-P0352-325-00015	MAZAK® NOZZLE Ø 1.5 ZK		
	L483	PT347-0899	280899-P0352-326-00018	MAZAK® NOZZLE Ø 1.8 ZK		
	L30483	PT347-0899X	280899-P0352-326-00018	MAZAK® NOZZLE Ø 1.8 ZK		
	L484	PT347-0044-3	350044.3-P0352-327-00020	MAZAK® NOZZLE Ø 2.0 ZK		
	L30484	PT347-0044X	350044.3-P0352-327-00020	MAZAK® NOZZLE Ø 2.0 ZK		
	L485	PT347-1025	P0352-328-00025	MAZAK® NOZZLE Ø 2.5 ZK		
L30485	PT347-1025X	350044.3-P0352-328-00025	MAZAK® NOZZLE Ø 2.5 ZK			
3	L486	PT347-1006	281006-P0352-333-00010	MAZAK® NOZZLE Ø 1.0 KK		
	L30486	PT347-1006X	281006-P0352-333-00010	MAZAK® NOZZLE Ø 1.0 KK		
	L487	PT347-1030	281030-P0352.334.00012	MAZAK® NOZZLE Ø 1.2 KK		
	L30487	PT347-1030X	281030-P0352.334.00012	MAZAK® NOZZLE Ø 1.2 KK		
	L488	PT347-1031	281031-P0352.335.00015	MAZAK® NOZZLE Ø 1.5 KK		
	L30488	PT347-1031X	281031-P0352.335.00015	MAZAK® NOZZLE Ø 1.5 KK		
	L489	PT347-0898	280898-P0352.336.00018	MAZAK® NOZZLE Ø 1.8 KK		
	L30489	PT347-0898X	280898-P0352.336.00018	MAZAK® NOZZLE Ø 1.8 KK		
	L490	PT347-1020	P0352.336.00020	MAZAK® NOZZLE Ø 2.0 KK		
	L30490	PT347-1020X	P0352.336.00020	MAZAK® NOZZLE Ø 2.0 KK		
4	L1760	PT347-1760	0	PRECITEC® NOZZLE DE M1.5 KS 1.0 HEX		
	L301760	0	0	PRECITEC® NOZZLE DE M1.5 KS 1.0 HEX		
	L1761	PT347-1761	P0491-1001-00015	PRECITEC® NOZZLE DE M1.5 KS 1.2 HEX		
	L301761	0	0	PRECITEC® NOZZLE DE M1.5 KS 1.2 HEX		
	L1762	PT347-1762	0	PRECITEC® NOZZLE DE M1.5 KS 1.5 HEX		
	L301762	0	0	PRECITEC® NOZZLE DE M1.5 KS 1.5 HEX		
	L1764	PT347-1764	P0491-1002-00020	PRECITEC® NOZZLE DE M1.5 KS 2.0 HEX		
	L301764	0	0	PRECITEC® NOZZLE DE M1.5 KS 2.0 HEX		

5"DX - 5"DXN PRECITEC® SENSOR SYSTEM



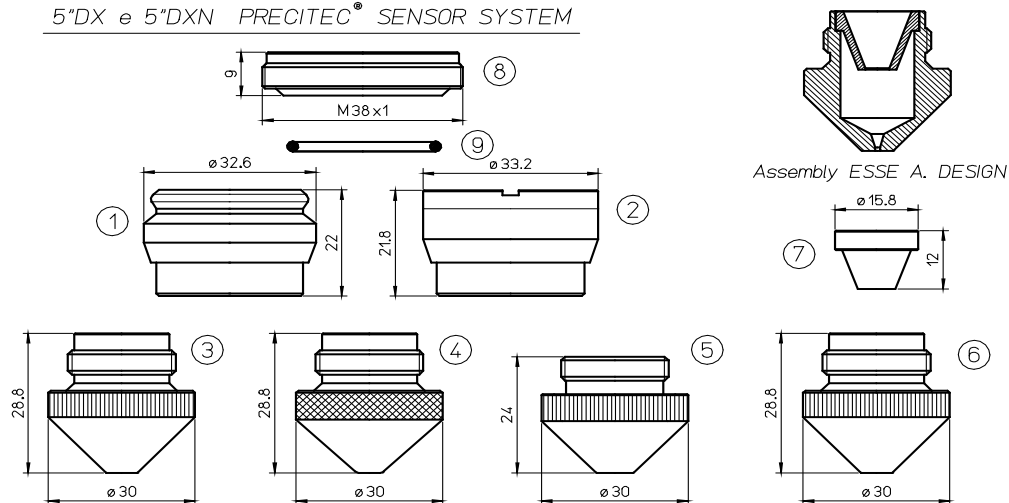
POS	ESSE A. CODE	ALTERNATE REFERENCE	ORIGINAL CODE	DESCRIPTION	Unit Price	10 pack price
1	AL35	PT311-0831	280831-P0492-622-00002	PRECITEC® ORIG. NOZ.HOLDER KT A1.5"DX - CERAMIC		
2	AL40	PT311-0565	280565-P0497-605-00001-29100106	PRECITEC® ORIG. NOZ. HOLDER KT M1.5"DXN - CERAMIC		
3	L87	PT311-0002		ADIGE S.@ NOZZLE ϕ 0.8		
	L10	PT311-0110		ADIGE S.@ NOZZLE ϕ 1.25		
	L90	PT311-0004		ADIGE S.@ NOZZLE ϕ 1.5		
4	L40	PT311-0005		ADIGE S.@ NOZZLE ϕ 1.5 HD		
	L186	PT311-0006		ADIGE S.@ NOZZLE ϕ 1.8 HD		
5	L187	PT311-0007	0	ADIGE S.@ NOZZLE ϕ 0.8		
	L188	PT311-0008	0	ADIGE S.@ NOZZLE ϕ 1.25		
	L189	PT311-0009	0	ADIGE S.@ NOZZLE ϕ 1.5		
6	L190	PT311-1010	0	ADIGE S.@ NOZZLE ϕ 1.5		
	L191	PT311-0011	0	ADIGE S.@ NOZZLE ϕ 1.8		
7	L157	LV418-0001	0	LVD® INNER NOZZLE		

5" DXN - 5" DL SENSOR SYSTEM



POS	ESSE A. CODE	ALTERNATE REFERENCE	ORIGINAL CODE	DESCRIPTION	Unit Price	10 pack price
1	AL40	PT311-0565	280565-P0497-605-00001-29100106	PRECITEC® ORIG. NOZ. HOLDER KT M1.5"DXN - CERAMIC		
2	AL130 AL130/S	PT311-1146OEM PT311-1146	281146-P0380-211-00001-29100033 281146-P0380-211-00001-29100033	PRECITEC® ORIG. NOZ. HOLDER IT M1.5" DZ - ALUMINUM PRECITEC® NOZZLE HOLDER IT M1.5" DZ - ALUMINUM		
3	L365 L366	PT376-0010 PT376-0012	280029-P0492-628-00010 280030-P0492-629-00012	PRECITEC® NOZZLE Ø 1.0 PRECITEC® NOZZLE Ø 1.2		
4	L367	PT376-0015	280028-P0492-627-00015	PRECITEC® NOZZLE Ø 1.5		
5	L368 L369	PT376-0017 PT376-0020	281384-P0492-630-00017 280027-P0492-626-00020	PRECITEC® NOZZLE Ø 1.7 PRECITEC® NOZZLE Ø 2.0		
6	L370	PT376-0025	280026-P0492-625-00025	PRECITEC® NOZZLE Ø 2.5		
7	AL201	PT311-0001	PO492-702-00002	PRECITEC® INSULATING RING - plastic		
8	AL94	AM326-6453	71366453	AMADA® O'RING FOR NOZZLE OUTER		

5"DX e 5"DXN PRECITEC® SENSOR SYSTEM



POS	ESSE A. CODE	ALTERNATE REFERENCE	ORIGINAL CODE	DESCRIPTION	Unit Price	10 pack price
1	AL35	PT311-0831	280831-P0492-622-00002	PRECITEC® ORIG. NOZ. HOLDER KT A1.5"DX - CERAMIC		
2	AL40	PT311-0565	280565-P0497-605-00001-29100106	PRECITEC® ORIG. NOZ. HOLDER KT M1.5"DXN - CERAMIC		
3	L163	PT311-0010	281253-P0380-251-00010	PRECITEC® NOZZLE Ø 1.0		
	L164	PT311-0012	281254-P0380-252-00012	PRECITEC® NOZZLE Ø 1.2		
	L165	PT311-0015	281255-P0380-253-00015	PRECITEC® NOZZLE Ø 1.5		
	L166	PT311-0020	281270-P0380-254-00020	PRECITEC® NOZZLE Ø 2.0		
	L167	PT311-0025	281271-P0380-255-00025	PRECITEC® NOZZLE Ø 2.5		
	L462	PT311-0027	281271-2.7	PRECITEC® NOZZLE Ø 2.7		
	L201	PT311-0030	281271-3.0	PRECITEC® NOZZLE Ø 3.0		
4	L887	BA372-0405		PRECITEC® NOZZLE Ø 1.5		
5	L921	PT311-0013	281029L	PRECITEC® NOZZLE Ø 1.0		
	L920	PT311-0014		PRECITEC® NOZZLE Ø 2.0 W/COUNTER BORE		
6	L259	PT311-1002	0	PRECITEC® NOZ. Ø 1.0 FOR INNER - PATENT		
	L260	PT311-0003	0	PRECITEC® NOZ. Ø 1.2 FOR INNER - PATENT		
	L261	PT311-1004	0	PRECITEC® NOZ. Ø 1.5 FOR INNER		
	L262	PT311-1005	0	PRECITEC® NOZ. Ø 2.0 FOR INNER - PATENT		
	L263	PT311-1006	0	PRECITEC® NOZ. Ø 2.5 FOR INNER - PATENT		
	L264	PT311-1007	0	PRECITEC® NOZ. Ø 3.0 FOR INNER - PATENT		
7	L157	LV418-0001	0	LVD® INNER NOZZLE		
8	AL201	PT311-0001	PO492-702-00002	PRECITEC® INSULATING RING - plastic		
9	AL94	AM326-6453	71366453	AMADA® O'RING FOR NOZZLE OUTER		



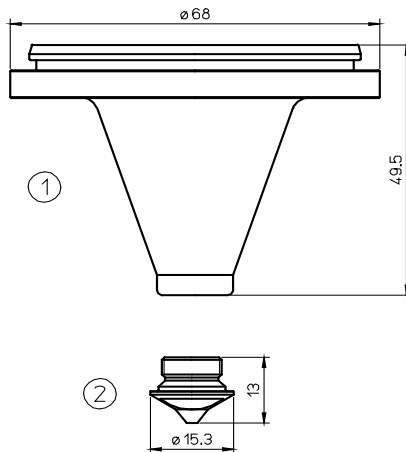
ESSE A. s.r.l. con socio unico - Direzione e coordinamento di Hypertherm Europe B.V.
Via Dell'Industria 20 - 40037 Sasso Marconi (BO) ITALY
Tel.: +39-051-841400 - Fax +39-051-6752112
E-mail: info@esse-a.it
www.esse-a.it

PRECITEC®
PRECITEC® ORIGINAL SPARE PARTS

ESSE A. CODE	ALTERNATE REFERENCE	ORIGINAL CODE	DESCRIPTION	Unit Price
P49713000001	PT347-0012		PRECITEC® NUT MU M1.5" DXN	
P49700200200	PT347-0200		PRECITEC® ORIG. CABLE KE 200 gg	
P251107000001	PT347-0000	OG Y D50 d2 HII	PRECITEC® ORIG. OG Y D50 d2 PROTECTING GLASS	
P36015000300	PT347-0014	KE 300 gw Z MM	PRECITEC® ORIG. SENSOR CABLE	
P59177000001	PT347-0016		PRECITEC® ORIG. TACTILE ELECTRODE ZM HP TAK	
P59132900001	PT347-0017	ZM HP1.5" DR	PRECITEC® SEAL 1.5"	
PBMO0001124KF	PT347-0018	ZM HP1.5" DF	PRECITEC® SEAL 1.5"	
P59192000001	PT347-0023	281395	PRECITEC® WHOLE SET OF SEALS ZM HP1.5" DS	

PRECITEC® - ROFIN®

ZE SE YK 52 Z



POS	ESSE A. CODE	ALTERNATE REFERENCE	ORIGINAL CODE	DESCRIPTION	Unit Price	10 pack price
1	AL244	PT401-0001	P0587-440-00001	PRECITEC® NOZZLE HOLDER ZE SE YK Z F80 OS OUR PRODUCTION		
2	L1012	PT401-1008	P0587-842-00008	PRECITEC® NOZZLE Ø 0.8		
	L1013	PT401-0010	P0587-841-00010	PRECITEC® NOZZLE Ø 1.0		
	L1014	PT401-0015	P0587-846-00015	PRECITEC® NOZZLE Ø 1.5		
	P251107000001	PT347-0000	OG Y D50 d2 H11	PRECITEC® ORIG. OG Y D50 d2 PROTECTING GLASS		