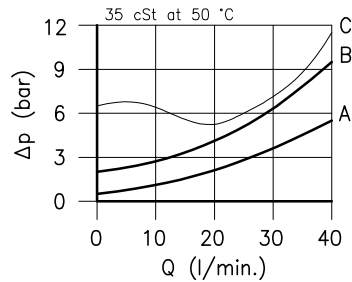
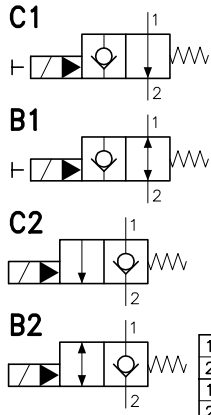


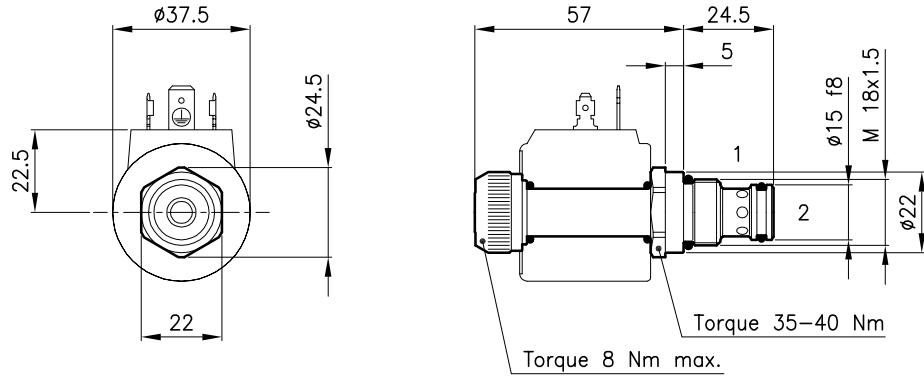
Technical features



	22C1	22B1	22C2	22B2
1 → 2 De-en.	curve A	curve A	not allowed	not allowed
2 → 1 De-en.	not allowed	curve A	curve B	curve B
1 → 2 Energ.	not allowed	not allowed	curve A	curve A
2 → 1 Energ.	curve C	curve C	not allowed	curve A

Cavity (For dimensions see catalogue 17.000)	S 20/2
Max. flow (l/min.)	30
Max. pressure (bar)	210
Response time (ms) <small>It change in function of circuit, pressure, flow and fluid viscosity.</small>	80 - 120 <small>(Mean value)</small>
Fluid viscosity range (cSt)	2.8 - 380
Fluid temperature range (°C)	-20 +80
Mass (kg)	0.120
Hydraulic fluid; mineral oil HM and HV	ISO 6074
Recommended filtration; 19/15 ISO 4466 (25 μ absolutes)	
Standard seals in Polyurethane and Buna N	

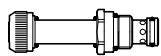
Dimensions



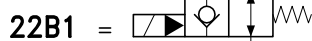
Ordering informations

ECP 20/22C1-MO

ECP 20/22.. = Valve type



Circuits



MO = Manual override (Only C1 and B1 version)
(Omit if not request)

Codes:

ECP 20/22C1	25 011 100
ECP 20/22C1-MO	25 011 148
ECP 20/22B1	25 011 101
ECP 20/22B1-MO	25 011 149
ECP 20/22C2	25 011 102
ECP 20/22B2	25 011 103
External seals kit	90 620 100

ECP 20/22.. valves can be assembled on standard bodies 20-L0 series; for dimensions see catalogue 16.010

On the ECP 20 valves must be assembled the Coils B20 series; for dimensions, features and codes see catalogues 09.900 and 09.901.