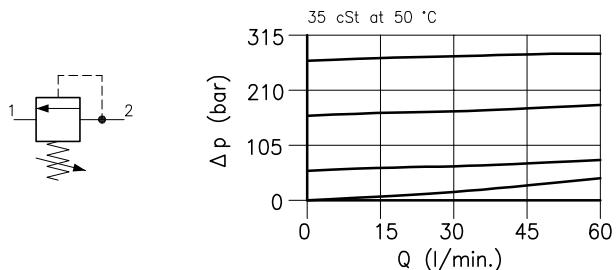
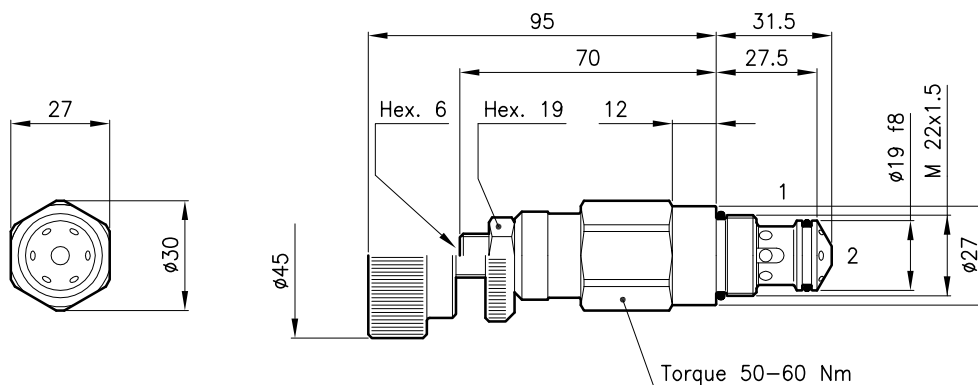


**Technical features**



Cavity	(For dimensions see catalogue 17.000)	S 30/2
Max. flow	(l/min.)	50
Max. inlet pressure	(bar)	350
Max. pressure on line 1	(bar)	210
Fluid viscosity range	(cSt)	2.8 - 380
Fluid temperature range	(°C)	-20 +80
Mass	(kg)	0.270
Cracking pressure 90% of setting value		
Reseat pressure 80% of setting value		
Cracking pressure defined with 1 l/min.		
Standard setting obtained with 10 l/min.		
Hydraulic fluid; mineral oil HM and HV ISO 6074		
Recommended filtration; 19/15 ISO 4466 (25 μ absolutes)		
Standard seals in Polyurethane and Buna N		

**Dimensions**



**Ordering informations**

**LPA 30/D-N**

**LPA 30** = Valve type



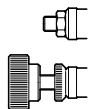
Standard springs

Type	Setting range	Factory set
<b>U</b>	= 10 - 105 bar	70 bar
<b>D</b>	= 70 - 210 bar	140 bar
<b>T</b>	= 140 - 350 bar	280 bar

Adjustment type

**N** = Standard adjustment

**V** = Handknob adjustment

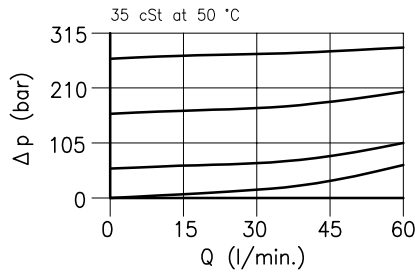
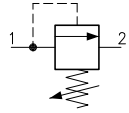


Codes:

LPA 30/U-N	31 011 107
LPA 30/D-N	31 011 108
LPA 30/T-N	31 011 109
LPA 30/U-V	31 011 122
LPA 30/D-V	31 011 123
LPA 30/T-V	31 011 124
External seals kit	90 620 103

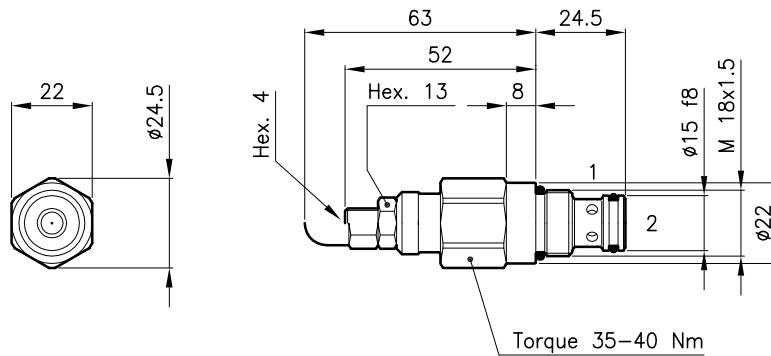
LPA 30 valves can be assembled on standard bodies 30-LO series; for dimensions see catalogue 16.010

**Technical features**



Cavity (For dimensions see catalogue 17.000)	S 20/2
Max. flow (l/min.)	50
Max. inlet pressure (bar)	350
Max. pressure on line 2 (bar)	350
Fluid viscosity range (cSt)	2.8 - 380
Fluid temperature range (°C)	-20 +80
Mass (kg)	0.125
Cracking pressure 95% of setting value	
Reseat pressure 75% of setting value	
Cracking pressure defined with 1 l/min.	
Standard setting obtained with 10 l/min.	
Hydraulic fluid; mineral oil HM and HV ISO 6074	
Recommended filtration; 19/15 ISO 4466 (25 μ absolutes)	
Standard seals in Polyurethane and Buna N	

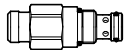
**Dimensions**



**Ordering informations**

**LPB 20/D-N**

**LPB 20** = Valve type



Standard springs

Type	Setting range	Factory set
<b>U</b>	= 10 - 105 bar	70 bar
<b>D</b>	= 70 - 210 bar	140 bar
<b>T</b>	= 140 - 350 bar	280 bar

Adjustment type

**N** = Standard adjustment



**NB** = Cover Cap adjustment



(not available for setting range U type)

Codes:

LPB 20/U-N	21 011 107
LPB 20/D-N	21 011 108
LPB 20/T-N	21 011 109
LPB 20/D-NB	21 011 154
LPB 20/T-NB	21 011 155

External seals kit 90 620 100

LPB 20 valves can be assembled on standard bodies 20-LO series; for dimensions see catalogue 16.010