

Directional valves ▶ Electrically operated

5/2-directional valve, Series 740-CP

▶ Qn = 950 l/min ▶ pipe connection ▶ compressed air connection output: Ø 10x1 ▶ Electr. connection: Plug, EN 175301-803, form A ▶ with throttle ▶ corrosion-protected ▶ Can be assembled into blocks ▶ Manual override: with detent, without detent ▶ Pilot: internal



00134166

Version	Diaphragm poppet valve
Sealing principle	Soft sealing
Blocking principle	Plate principle, Single base plate principle
Mounting on manifold strip	PRS strip
Working pressure min./max.	2 bar / 10 bar
Ambient temperature min./max.	-15 °C / +50 °C
Medium temperature min./max.	-15 °C / +50 °C
Medium	Compressed air
Max. particle size	50 µm
Oil content of compressed air	0 mg/m³ - 5 mg/m³
Connector standard	EN 175301-803:2006
Degree of protection With connection	IP65
Compatibility index	See table below
Duty cycle	100 %
Switch-on time	16 ms
Switch-off time	36 ms
Weight	See table below
Materials:	
Housing	Polyoxymethylene
Seals	Acrylonitrile Butadiene Rubber
Front plate	Polyarylamide

Technical Remarks

- The min. control pressure must be adhered to, since otherwise faulty switching and valve failure may result!
- The pressure dew point must be at least 15 °C under ambient and medium temperature and may not exceed 3 °C.
- The oil content of compressed air must remain constant during the life cycle.
- Use only the approved oils from AVENTICS, see chapter „Technical information“.
- ATEX optional: ATEX version can be produced by combining the basic valve without coil with an ATEX coil. ATEX ID: see ATEX coils catalog page.

Operational voltage			Voltage tolerance			Power consumption	Switch-on power		Holding power	
DC	AC 50 Hz	AC 60 Hz	DC	AC 50 Hz	AC 60 Hz	DC	AC 50 Hz	AC 60 Hz	AC 50 Hz	AC 60 Hz
						W	VA	VA	VA	VA
24 V	-	-	-10% / +10%	-	-	2.1	-	-	-	-
-	230 V	230 V	-	-20% / +10%	-10% / +20%	2.1	6.6	5.5	4.18	3.3
-	-	-	-	-	-	2.1	-	-	-	-

MO	Compressed air connection			Operational voltage			Power consumption	Hold-ing power	Hold-ing power	Part No.
	Input	Out-put	Ex-haust	DC	AC 50 Hz	AC 60 Hz	24 V DC	AC 50 Hz	AC 60 Hz	
							[W]	[VA]	[VA]	
	Ø 10x1	Ø 10x1	M14x1	24 V	-	-	2.1	-	-	5727940220
				-	230 V	230 V	4.18	3.3	5727945280	
	Ø 10x1	Ø 10x1	M14x1	-	-	-	2.1	-	-	5727945302

Directional valves ▶ Electrically operated

5/2-directional valve, Series 740-CP

▶ $Q_n = 950$ l/min ▶ pipe connection ▶ compressed air connection output: $\varnothing 10 \times 1$ ▶ Electr. connection: Plug, EN 175301-803, form A ▶ with throttle ▶ corrosion-protected ▶ Can be assembled into blocks ▶ Manual override: with detent, without detent ▶ Pilot: internal

Part No.	Switch-on power	Switch-on power	Flow rate value	Compatibility index	Weight	Note
	AC 50 Hz	AC 60 Hz				
	[VA]	[VA]	Q_n		[kg]	
			[l/min]			
5727940220	-	-	950	13, 14	0.326	1); 3)
5727945280	6.6	5.5		14		
5727945302	-	-	950	14	0.228	2); 4)

MO = Manual override

1) without electrical connector

2) Basic valve without coil

3) Protected against polarity reversal

4) ATEX optional

Nominal flow Q_n at 6 bar and $\Delta p = 1$ bar

Dimensions

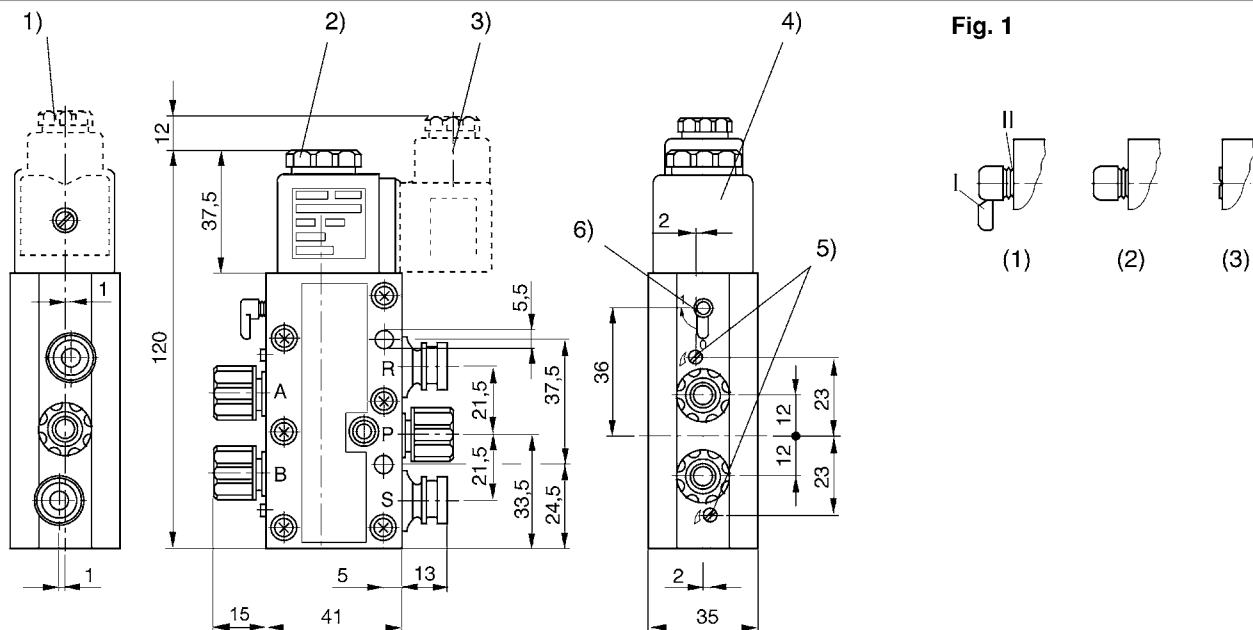


Fig. 1

1) gland fitting M16x1,5

2) M5 internal thread accessible under cap

3) el. connector can be rotated at 90° intervals

4) coil can be plugged at 45° intervals

5) throttle screw for exhausts 5 (R) and 3 (S) (S)

6) manual override and position indicator

Fig. 1: manual override:

manual actuation: (1) with detent - push and turn into position 1 (2) without detent - remove segment 1 - push only

actuation by tool: (3) with detent - remove segments up to II - push with tool and turn into position 1

D572_794