

## 16 Series Inline Single-Pole Cam-Type Detachable Plugs

Type 3R Rated for Outdoor Use  
for Applications Up to 400A / 600V



Leviton Single-Pole Detachable Plugs are designed to provide superior service and durability, even under the most severe operating conditions. Featuring solid brass contacts and high-performance TPV insulators, these devices are ideal for use with equipment associated with concerts, sound stages, movie-making, television production and many other power distribution applications.

When used in-line, the newly redesigned profile of the 16 Series insulators reduces the likelihood of plugs getting snagged on other cables and equipment. The solid plastic, non-conducting retaining screw provides strength and durability.

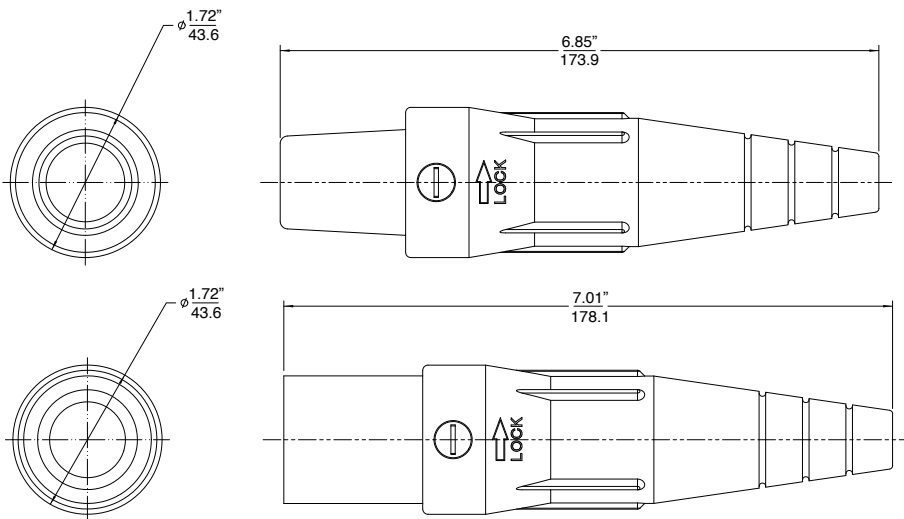
The entire line of Leviton 16 Series Single-Pole Detachable Plugs and accessories are completely interoperable and interchangeable with any competitive cam-type plugs and receptacles.

### Other features include:

- Single or Double Set Screw, or Crimped Termination
- Reusable sleeves and contacts for easy assembly and disassembly without special tools
- Self compensating for wear
- Color-coded insulators for easy phase identification



## Dimensions



## Specifications

| Material Specifications |               |
|-------------------------|---------------|
| Insulator               | TPV           |
| Contact                 | Solid Brass   |
| Strain Relief           | Copper Wire   |
| Assembly Screw          | Thermoplastic |

| Standards and Certifications |             |
|------------------------------|-------------|
| NEMA                         | 3R          |
| UL                           | File E13399 |
| CSA                          | File 152105 |

## Ordering Information

| Termination Type | Plug Type | Cable Size | Max Ampacity | Contact & Insulator | Contact Only | Insulator Only     | UL/CSA Listed |
|------------------|-----------|------------|--------------|---------------------|--------------|--------------------|---------------|
| Single Set Screw | Male      | #2 - 2/0   | 300          | 16D21- (*Suffix)    | —            | 16SDM-2P (*Suffix) | No            |
| Single Set Screw | Female    | #2 - 2/0   | 300          | 16D29- (*Suffix)    | —            | 16SDF-2P (*Suffix) | No            |
| Single Set Screw | Male      | 1/0 - 4/0  | 400          | 16D23- (*Suffix)    | —            | 16SDM-1P (*Suffix) | No            |
| Single Set Screw | Female    | 1/0 - 4/0  | 400          | 16D32- (*Suffix)    | —            | 16SDF-1P (*Suffix) | No            |
| Double Set Screw | Male      | #6 - #2    | 190          | 16D44- (*Suffix)    | —            | 16SDM-2P (*Suffix) | Yes           |
| Double Set Screw | Female    | #6 - #2    | 190          | 16D45- (*Suffix)    | —            | 16SDF-2P (*Suffix) | Yes           |
| Double Set Screw | Male      | #2 - 2/0   | 300          | 16D22- (*Suffix)    | 16D22-PC     | 16SDM-2P (*Suffix) | Yes           |
| Double Set Screw | Female    | #2 - 2/0   | 300          | 16D31- (*Suffix)    | 16D31-PC     | 16SDF-2P (*Suffix) | Yes           |
| Double Set Screw | Male      | 1/0 - 4/0  | 400          | 16D24- (*Suffix)    | 16D24-PC     | 16SDM-1P (*Suffix) | Yes           |
| Double Set Screw | Female    | 1/0 - 4/0  | 400          | 16D33- (*Suffix)    | 16D33-PC     | 16SDF-1P (*Suffix) | Yes           |
| Crimped          | Male      | #2 - #1    | 220          | 16D25- (*Suffix)    | —            | 16SDM-2P (*Suffix) | Yes           |
| Crimped          | Female    | #2 - #1    | 220          | 16D34- (*Suffix)    | —            | 16SDF-2P (*Suffix) | Yes           |
| Crimped          | Male      | 1/0 - 2/0  | 300          | 16D26- (*Suffix)    | —            | 16SDM-2P (*Suffix) | Yes           |
| Crimped          | Female    | 1/0 - 2/0  | 300          | 16D35- (*Suffix)    | —            | 16SDF-2P (*Suffix) | Yes           |
| Crimped          | Male      | 3/0 - 4/0  | 400          | 16D28- (*Suffix)    | —            | 16SDM-1P (*Suffix) | Yes           |
| Crimped          | Female    | 3/0 - 4/0  | 400          | 16D37- (*Suffix)    | —            | 16SDF-1P (*Suffix) | Yes           |

| Suffix | Color  |
|--------|--------|
| E      | Black  |
| W      | White  |
| R      | Red    |
| B      | Blue   |
| G      | Green  |
| Y      | Yellow |
| O      | Orange |
| H      | Brown  |

\*Consult factory for availability

### Leviton Manufacturing Co., Inc.

201 N Service Rd, Melville, NY 11747  
 Telephone: 1-800-323-8920 • Fax: 1-800-832-9538  
 Tech Line (7:00AM-7:30PM ET Monday-Friday): 1-800-824-3005

### Leviton Manufacturing of Canada, Ltd.

165 Hymus Blvd, Pointe-Claire, QC H9R 1E9  
 Telephone: 1-800-469-7890 • Fax: 1-800-563-1853

### Leviton S. de R.L. de C.V.

Lago Tana 43, Col. Huichapan, Miguel Hidalgo, CP 11290 México DF  
 Telephone: (+52) 55-5082-1040 • Fax: (+52) 55-5386-1797 • www.leviton.com.mx

### Leviton Middle East, Ltd.

J/Ali Free Zone, View 19 7th Floor, Office 701 • PO Box 262742 Dubai, UAE  
 Telephone: +971 4 886 4722 • Fax: +971 4 886 4723

Visit our Website at: [www.leviton.com/industrial](http://www.leviton.com/industrial) email: [industrial@leviton.com](mailto:industrial@leviton.com)

© 2012 Leviton Manufacturing Co., Inc. All rights reserved.

