

Cable tie bases for SES®-QUICK cable tie

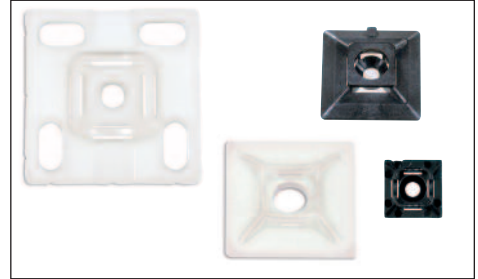



SES®-QUICK



Cable tie base ANP

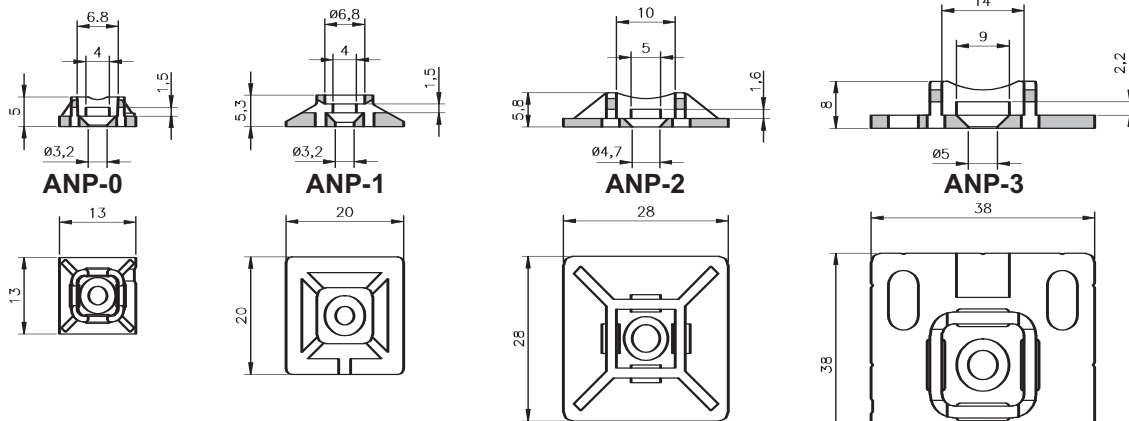
Material base: polyamide 6.6
self adhesive*: polyethylene foam
Colours: natural - black
Operating temperatures: -40 to +85°C
Flame resistance: V2 UL94
Application: adhesive cable tie base for cable ties SES-QUICK, recommended for rapid fixation of lightweight cables. Can be fixed with screws.



type	article number		for cable ties max. width mm	fixing by screw Ø mm	
	natural (NL)	black (BK)			
ANP-0-C	0186 0903 018	0186 0904 010	3,6	3	100
ANP-1-C	0186 0912 018	0186 0911 010	3,6	3	100
ANP-2-C	0186 0900 018	0186 0901 010	4,8	4,5	100
ANP-3-C	0186 0905 018	0186 0906 010	7,6	4,5	100

New

New




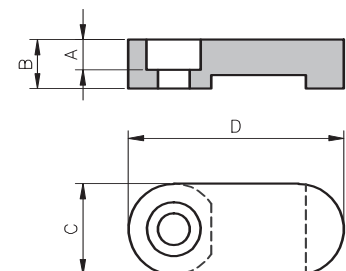
* **IMPORTANT:** Good adhesion with our products is achieved by a smooth, clean, dry and perfectly degreased surface of the support. Do not touch the adhesive before application. In general, we recommend preliminary tests

Cable tie base S2 / S8 / S12

Material: high impact polystyrene
Colour: black
Operating temperatures: -30 to +80°C



type	article number	dimensions (mm)				for cable ties max. width mm	fixing by screw Ø mm	
		A	B	C	D			
S2	0112 0001 010	3	5	Ø10	14,5	2,6	3	100
S8	0112 0002 010	4	6,5	12	24,5	7,6	4	100
S12	0112 0003 010	4	6,5	12	28,5	9	4	100



Cable tie bases for SES®-QUICK cable tie

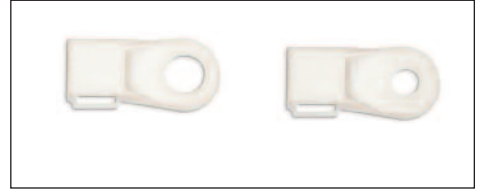


SES®-QUICK

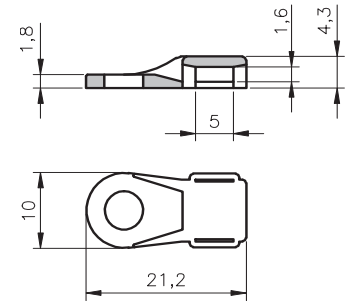


Cable tie base MB-123

Material: polyamide 6.6
Colour: natural
Operating temperatures: -40 to +85°C
Flame resistance: V2 UL94

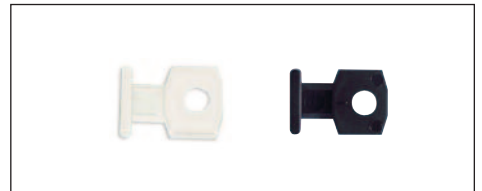


type	article number	for cable ties max. width mm	fixing by screw Ø mm	
MB-123-C	0186 0922 018	4,8	5	100
MB-123.35-C	0186 0924 018	4,8	3	100

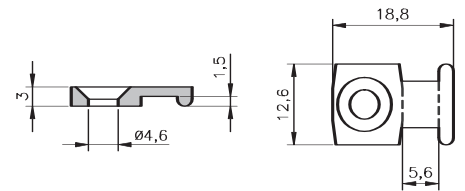


Cable tie base SM-8

Material: polyamide 6
Colours: natural - black
Operating temperatures: -20 to +70°C
Flame resistance: V2 UL94

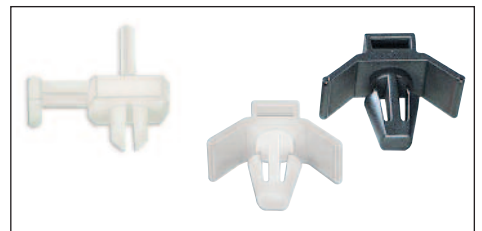


type	article number		for cable ties max. width mm	fixing by screw Ø mm	
	natural (NL)	New black (BK)			
SM-8-C	0186 0910 018	0186 0910 010	4,8	4,6	100

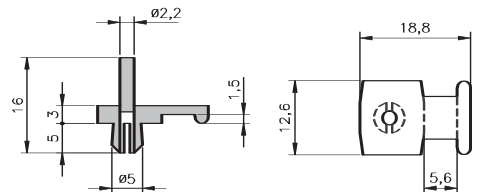


Cable tie base with rivet K50 / K60

Material: polyamide 6
Colours: natural - black
Operating temperatures: -20 to +70°C
Flame resistance: V2 UL94



type	article number	for cable ties max. width mm	boring Ø mm	
K-50-C	0186 0920 018	4,8	4,6	100



type	article number		dimensions (mm)				for cable ties max. width mm	
	natural (NL)	noir (BK)	ØA	B	C	D		
K50-27	0186 0934 018	0186 0934 010	5...5,4	0,8...2,7	18,5	7	3,6	100
K50-36	0186 0933 018	0186 0933 010	5...5,4	1...3,6	20,5	7	3,6	100
K60-27	0186 0932 018	0186 0932 010	6...6,4	0,8...2,7	22	9,5	4,7	100
K60-36	0186 0931 018	0186 0931 010	6...6,4	1...3,6	23,5	9,5	4,7	100

