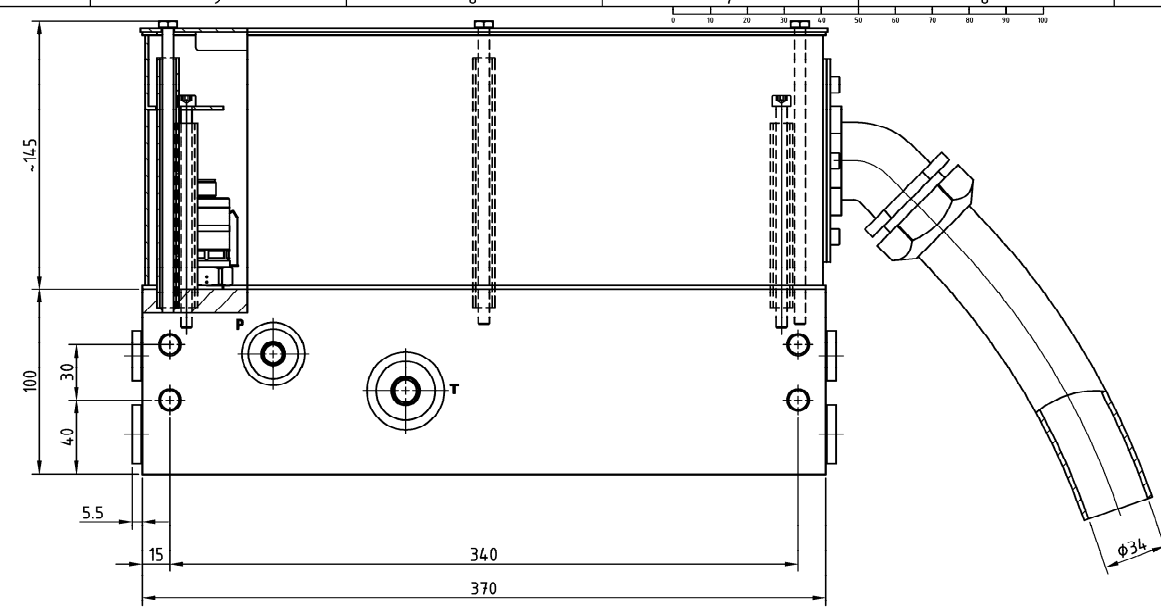
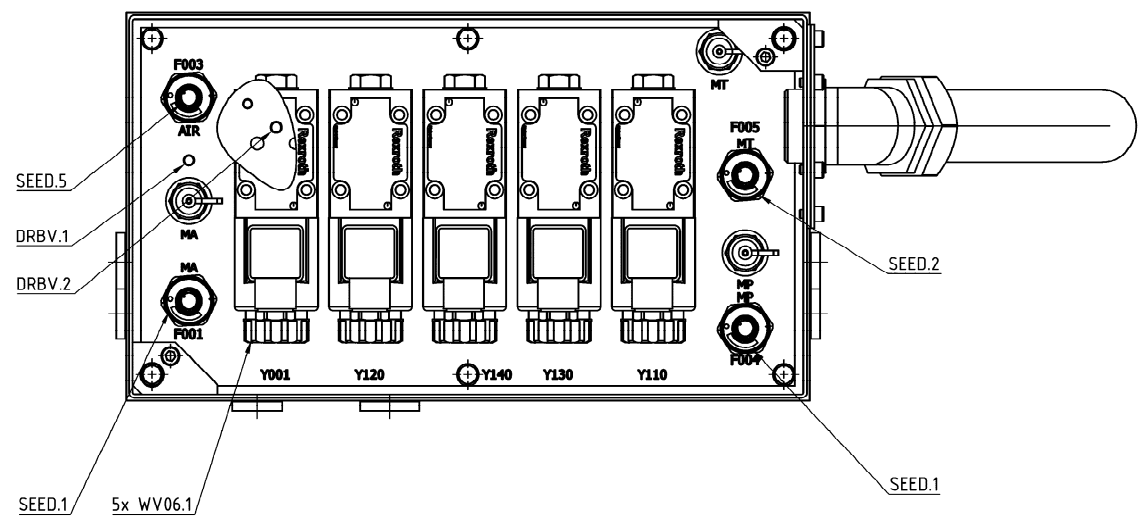
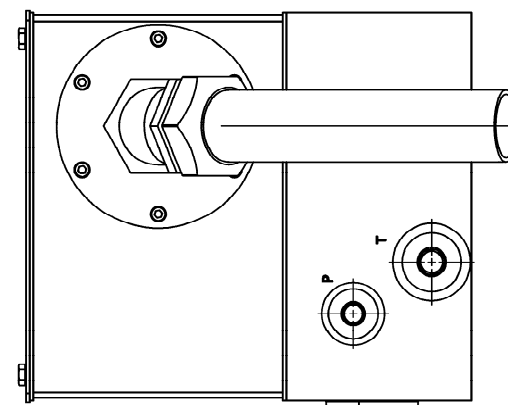


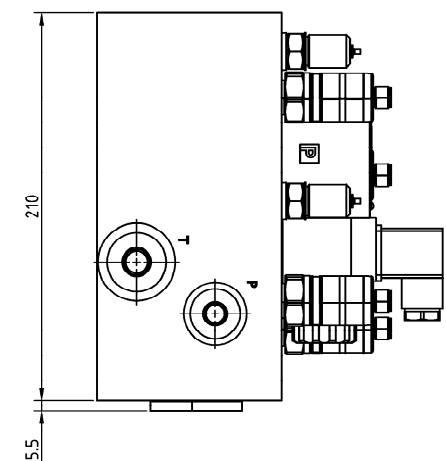
TORQUE VALUES	
WV06.1 (SCREWS)	8,1 Nm± 10%
SEED.1	25 Nm
SEED.2	25 Nm
SEED.5	25 Nm
RVBV.51	15 Nm



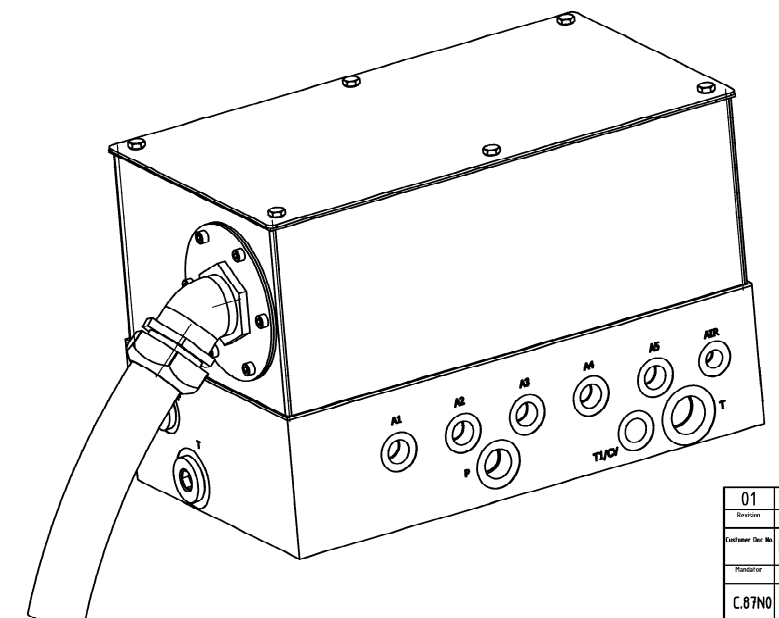
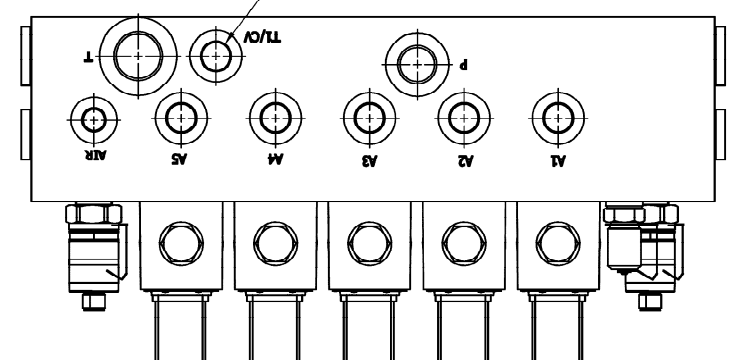
VIEW WITHOUT COVER:



VIEW WITHOUT HOUSING:



VIEW WITHOUT HOUSING: RVBV.51



COPYRIGHT
PROPERTY OF
SIEMENS-VAI

EQUIPMENT NO.:	\$87NH8410				
VARIATION CODE:	I-V				
CONNECTIONS					
PORT	THREAD	FITTING	MATERIAL	WELDING NIPPLE	MATERIAL
P	G 1/2"	-	-	-	-
T	G 3/4"	-	-	-	-
T1	G 1/2"	-	-	-	-
AIR	G 1/4"	-	-	-	-
A1	G 3/8"	-	-	-	-
A2	G 3/8"	-	-	-	-
A3	G 3/8"	-	-	-	-
A4	G 3/8"	-	-	-	-
A5	G 3/8"	-	-	-	-

PROJECT ERDEMİR
ART.: 43960
STATUS: 18-08-11

Dorninger Hytronics
Dorninger Hytronics GmbH
Betriebsstraße 18
4210 Unterwiesendorf - Austria
Tel: +43 (0)7236 20820 0
info@hytronics.com
www.hytronics.com

DATE	NAME
MADE BY 18-08-11	HÖLLER
CHECKED BY 18-08-11	STELZER
ORDER No.:	1121320

01	Position of DRBV.2 changed from P to A	11.05.2012	P. Höller	G. Leonharts
Revision	No. of Revision	Date	Made by	Checked by
Customer Order No.	C.87N0_CB.88.31-F8410_ZSZ001			
Manufacturer	CR EN CCM			
Project	Erdemir Revamp	Made by	01.09.2011	Höller
Plant	Slab casting plant	Checked by	01.09.2011	Steizer
Area	Hydraulic and pneumatic	Released by	11.05.2012	G. Leonharts
Equipment	Hydraulic systems for technolog. packages	EN		
Subgroup	Hydraulic controls for SMART mold	Scale	75	mm
Supply	Fluid and utility equipment	Scale	1:2	
For the	Hydraulic Manifold for Narrow Side Adjustment	Special Partner	Checked	
DocType	Assembly drawing	Special Partner No. No.		
Count	001	Sub Supplier		
Doc. Title		Customer		
Drawn by		SAP Document No.		
Checked by		Substrate for		
Replaced by		Replaced by		
SVA Draw. No. Material No.				01
C.87N0.CB.88.31-F8410/ZSZ001				

THE CONTENT OF THIS SHEET IS OUR COPYRIGHT PROPERTY. THE UNAUTHORIZED USE OF THIS SHEET OR USE CONTRARY TO ITS INTENDED PURPOSE IS NOT PERMITTED AND SHALL BE PROSECUTED.
 Der Inhalt dieser Zeichnung ist unser geistiges Eigentum. Die unbefugte Nutzung dieses Zeichnungsmaterials ist untersagt und wird rechtlich verfolgt.