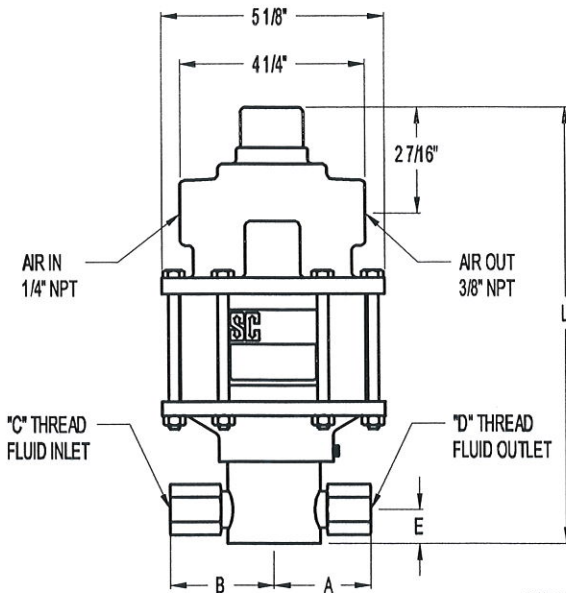


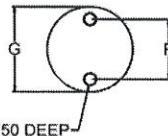
10-4 SERIES



10-4 Series pumps have a 4" diameter air piston and a 1 1/4" stroke. Nine models are available with pressures up to 29,500 psig.

When operating from 0 to rated hydraulic pressure, air consumption will be approximately 14 scfm of free air at 100 psi output. At lower air pressures and higher hydraulic pressures, air consumption will be reduced proportionately to flow rates indicated.

Mounting may be in any position, vertical preferred. When mounting in an inverted position, a drain cock should be provided to drain off any liquid that may accumulate in the pilot valve air chamber.



3/8-24 UNF - 2B x .750 DEEP

Mounting Dimensions in Inches

10-4 Series Model	L	A	B	NPT (Standard)		E	F	G
				C Thread	D Thread			
-003	11.375	2.438	3.000	1/2"	3/8"	.813	1.500	2.125
-005	11.188	2.438	3.000	1/2"	3/8"	.813	1.500	2.125
-010 thru -015	11.063	2.438	2.438	3/8"	3/8"	.813	1.500	2.125
-020 thru -030	10.063	2.438	2.438	3/8"	3/8"	.813	1.500	2.125
-050 thru -125	10.500	2.375	2.313	3/8"	3/8"	.813	1.500	2.125
-165	10.752	1.993	2.062	3/8"	9/16-18*	1.000	1.750	2.500

*Coned and Threaded High Pressure Connection for 1/4" O.D. Tubing

Measurements & Approximate Air to Hydraulic Pressure Ratios – Static Conditions

10-4 Series Model	Ratio	Hydraulic Piston Diameter (in)	Hydraulic Piston Area (in ²)	Volume per Stroke (in ³)	Air Pressure (PSI)									
					10	20	30	40	50	60	70	80	90	100
-003	5	1.6250	2.070	2.590	35	90	145	200	250	305	360	415	465	515
-005	10	1.1875	1.110	1.390	80	180	280	375	475	575	675	770	870	965
-010	15	0.8750	0.601	0.751	160	340	520	700	880	1060	1240	1440	1600	1800
-015	30	0.6875	0.371	0.464	250	550	850	1150	1425	1725	2000	2300	2575	2850
-020	35	0.6250	0.307	0.384	300	675	1050	1450	1800	2175	2525	2875	3225	3550
-030	55	0.5000	0.196	0.245	500	1040	1620	2200	2750	3340	3850	4475	5000	5550
-050	100	0.3750	0.110	0.138	950	1850	2900	3800	4850	5900	6875	7900	8900	9900
-080	140	0.3125	0.077	0.096	1300	2700	4150	5700	7100	8600	9900	11200	12600	14000
-125	220	0.2500	0.049	0.061	2100	4400	6750	8750	11250	13250	15250	17500	19750	22000
-165	300	0.2180	0.037	0.047	3400	6000	8500	12400	14600	17000	20900	23500	26900	29500