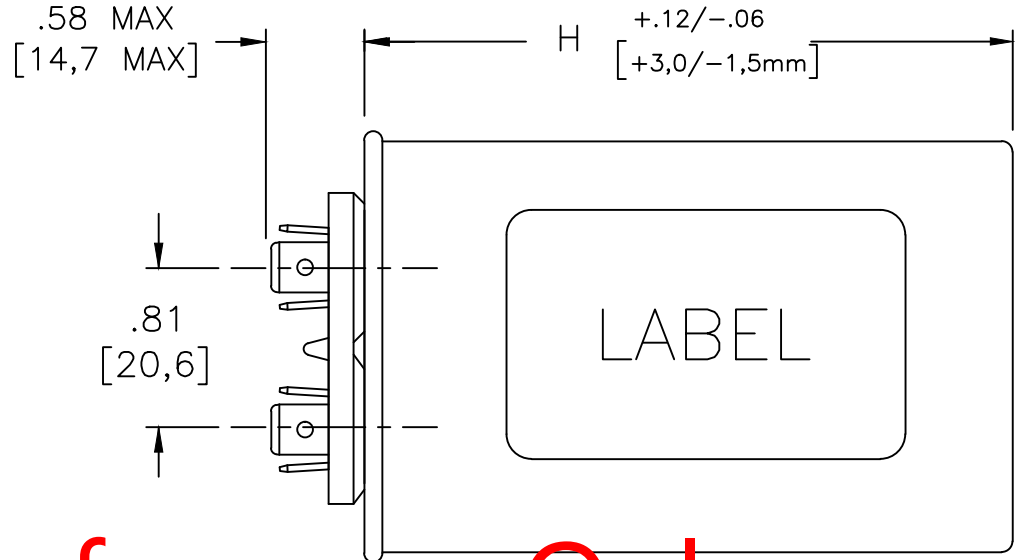
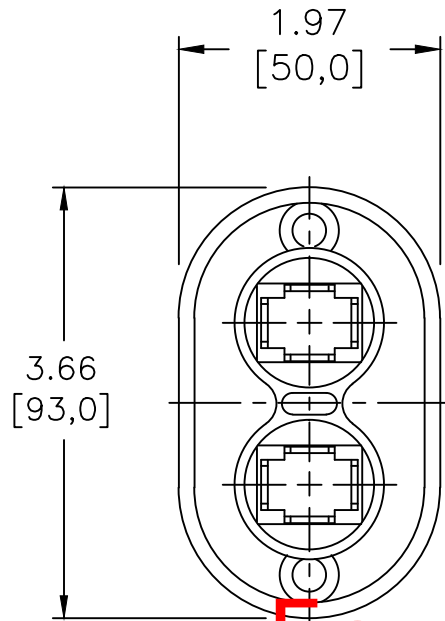


DWG. NO.	REV.
2.00 OVAL REF DWG	-

LTR	REVISION	BY	DATE	APPR
-	REF. DWG	PMF		



For Reference Only

NOTES:

1. MATERIAL: ALUMINUM CASE, TIN PLATED STEEL COVER
2. TERMINAL: 4 BLADE

INTERPRET DRAWING PER ASME Y14.5M-1994

UNLESS OTHERWISE SPECIFIED	DRAWN BY	DATE	TITLE:	<div style="font-size: 1.5em; font-weight: bold;">Aerovox® Corp.</div> <div style="font-size: 0.8em;">167 JOHN VERTENTE BLVD., NEW BEDFORD, MA 02745 USA</div>
	P.FANDEL	05/23/14		
DIMS IN INCH [mm]	CHECKED BY	DATE	THIRD ANGLE PROJECTION	SCALE:
.000 ± .030 [0.75]				
.00 ± .06 [1,5]	APPROVED BY	DATE	<div style="font-size: 2em; font-weight: bold;">A</div>	DWG. NO.
FRACTIONS ±1/64				
ANGLES ±0°30'	SHEET 1 OF 1			REV.
CAD NO.				-
2.00_OV				