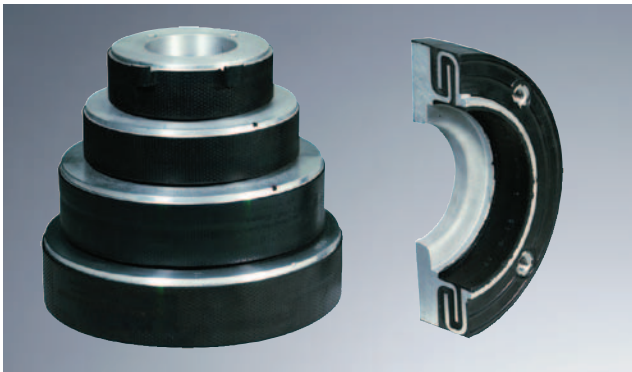
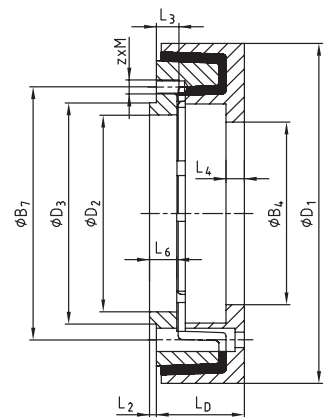
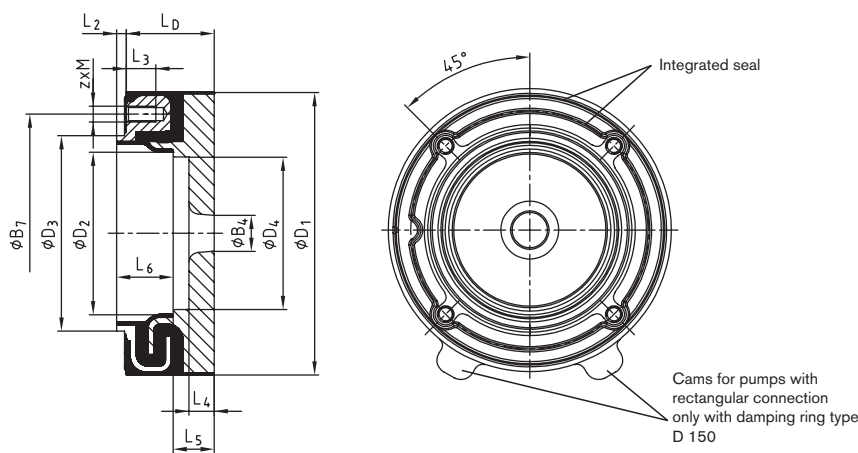


Damping elements



- Vulcanized and failsafe (up to D 330, patent pending)
- High weight loading permissible (e. g. multiple pumps)
- Excellent damping properties
- Excellent resistance to hydraulic oils
- Sealing lips are moulded on (up to size 330) – no additional sealing required
- For the bellhousing selection you require please see our selection programme at www.ktr.com



D 84 / D 125 / D 145

Damping ring type D

Size	Dimensions [mm]													
	B ₄		B ₇	D ₁	D ₂	D ₃	D ₄	L _D	L ₂	L ₃	L ₄	L ₅	L ₆	z x M ²⁾
D 150/..	min. 18	max. 83	122	148	83	100	78	45	5	15	13	16	30	4 x M8
D 190/..	30	121	150	190	116	130	100	45	5	15	14	18	33	4 x M10
D 230/..	97	143	195	234	143	160	136	58	5	18	17	23	47	4 x M12
D 260/..	97	164	210	264	164	180	156	58	4	20	18	23	46	4 x M16
D 330/..	120	208	264	330	208	220	201	83	6	35	23	28	64	4 x M20
D 84/..JA	147	224	280	360	210	224	–	83	5	35	25	25	18	4 x M20
D 84/..JC														
D 125/..JA	260	320	360	484	285	315	–	125	10	33	25	25	40	M20 ³⁾
D 145/..JA	390	400	¹⁾	590	370	400	–	145	12	45	35	35	47	M24 ³⁾

¹⁾ Pitch circle diameter on request.

²⁾ Tightening torque of screw quality 5.6.

³⁾ Number of fixing holes on request.

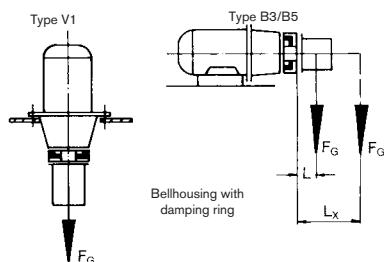
Permissible radial and axial weight load of damping rings based on an ambient temperature of + 60 °C

	D 150	D 190	D 230	D 260	D 330	D 84	D 125	D 145
Distance of center of gravity for radial load L [mm]	100	100	100	200	200	200	250	250
Perm. weight load F _{max.} [N]	650	1800	3000	2300	4100	4000	6000	10000

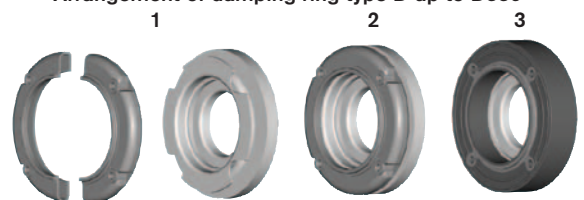
With a modified distance of center of gravity LX the permissible weight load is converted. If LX < L, dann F_{perm.} = F_{perm.}

$$F_{perm.} = F_{max.} \cdot L / L_X \text{ [N]}$$

The permissible weight load F_{perm.} must not be exceeded by the existing weight load FG (radial or axial).



Arrangement of damping ring type D up to D330



Ordering example:

D	230	14
Damping ring	Size	Internal modification code